

NP-6111-JH3

- Fanless, Low power consumption
- 8 x USB, 2 x CAN Bus, 8 x DI, 8 x DO

■ Features

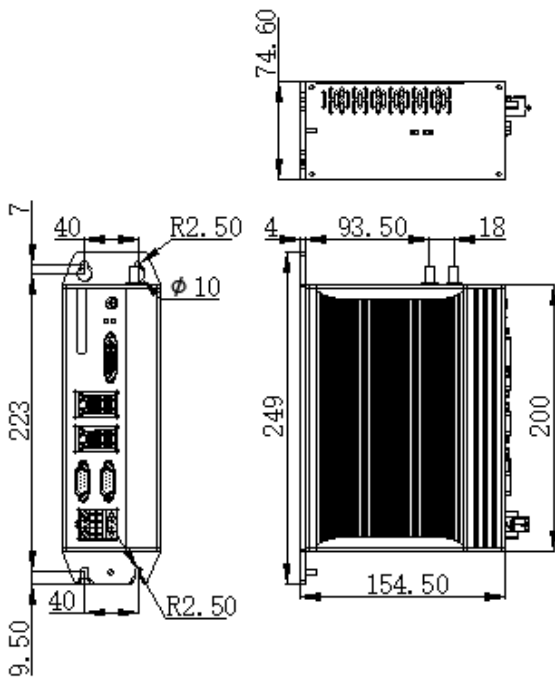
- 2 x Intel GbE LAN controller
- 8 x USB on the front, 1 x USB2.0 on board for USB dongle
- 4 x RS232/485, RS485 support auto flow control
- 8 x isolated DI, 8 x isolated DO
- 2 x CAN Bus 2.0 A/B
- 1 x miniPCIe expansion slot, support Wifi,3G/4G modules
- DC12~24V Power supply with overcurrent, overvoltage and polarity inverse protection
- Support wall-mounted or DIN-Rail fixing style
- Fully enclosed structure, fanless and no cable design
- Wide operating temperature -20 ~ 60°C supported



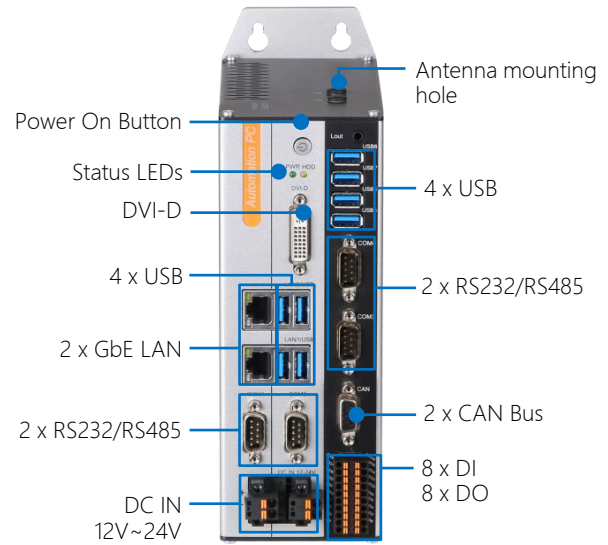
■ Specifications

Model Name		NP-6111-JH3-J1900	NP-6111-JH3-E3845	NP-6111-JH3-J3455	NP-6111-JH3-J6412	
System	CPU	Intel® Celeron J1900, 2.0GHz, 4 cores/4 threads, 2MB L2 cache	Intel® Atom E3845, 1.91GHz, 4 cores/4 threads, 2MB L2 cache	Intel® Celeron J3455, 1.5~2.3GHz, 4 cores/4 threads, 2MB L2 cache	Intel® Celeron J6412, 2.0~2.6GHz, 4 cores/4 threads, 1.5MB L2 cache	
	TDP	10W				
	BIOS	AMI UEFI 64Mbit				
	Memory	1 x SO-DIMM DDR3L-1333MHz (max. 8GB)			1 x SO-DIMM DDR4-2400MHz (max. 16GB)	
	Storage	1 x mSATA bay				
	USB	1 x USB3.0, 7 x USB2.0		2 x USB3.0, 6 x USB2.0		
		1 x USB2.0 Type A on the board for USB dongle				
	COM	4 x COM(DB-9), selectable to support RS232 or RS485 mode by the switch, RS485 support auto flow control, (ESD protection for RS232: Air gap ±8KV, Contact ±6KV)				
	Ethernet	2 x Intel GbE Ethernet				
	DI	8 x DI NPN/PNP, isolated 2500 Vrms				
	DO	8 x DO, Transistor output, I _{max} :0.5A per channel, isolated 2500 Vrms				
	CAN Bus	2 x isolated CAN Bus 2.0 A/B				
	DVI-D	Support up to 1920 x 1080 @ 60Hz				
	Expansions	1 x Full-size PCIe Mini slot with SIM card holder(with USB signal)				
Watch Dog	1~255 levels programmable					
OS Support	Microsoft Windows	Windows 7, Windows 7 Embedded, Windows 10 IoT				
	Linux	Ubuntu, CentOS, Debian				
Power	Voltage Input	DC12~24V ±10%, overcurrent, overvoltage and polarity inverse protection				
	Power Consumption	Max. 60W				
Chassis	Structure	Aluminum-magnesium alloy box, Fanless, Wall-mounted or DIN-Rail				
	Dimensions	(L)200mm x (W)154.5mm x (H)74.6mm				
	Net Weight	2.1Kg				
Environment	Work Temperature	-20°C ~ 60°C (-4°F~140°F) with air flow (SSD)				
	Storage Temperature	-40°C ~ 80°C (-40°F ~ 176°F) with air flow (SSD)				
	Relative Humidity	5~95% (Non-condensing)				
	Operating Vibration	5~500Hz, 1.5Grms@with SSD, Follow IEC60068-2-64				
	Operating Shock	20G peak acceleration(11ms duration) with SSD, Follow IEC60068-2-27				
EMC	CE/FCC Class A					

■ Dimensions (Unit: mm)



■ Interfaces



■ Ordering Information

Part No.	Product	Description
6070200078	NP-6111-JH3-J1900	CPU:J1900,RAM:NULL, mSATA: NULL, 4 x COM(RS232/485 selectable) , 2 x LAN, 1 x USB3.0, 7 x USB2.0, DVI-D, 8 x DI, 8 x DO, DC12~24V Power input
6070200114	NP-6111-JH3-E3845	CPU:E3845,RAM:NULL, mSATA: NULL, 4 x COM(RS232/485 selectable) , 2 x LAN, 1 x USB3.0, 7 x USB2.0, DVI-D, 8 x DI, 8 x DO, DC12~24V Power input
6070200179	NP-6111-JH3-J3455	CPU:J3455,RAM:NULL, mSATA: NULL, 4 x COM(RS232/485 selectable) , 2 x LAN, 2 x USB3.0, 6 x USB2.0, DVI-D, 8 x DI, 8 x DO, DC12~24V Power input
6070200180	NP-6111-JH3-J6412	CPU:J6412,RAM:NULL, mSATA: NULL, 4 x COM(RS232/485 selectable) , 2 x LAN, 2 x USB3.0, 6 x USB2.0, DVI-D, 8 x DI, 8 x DO, DC12~24V Power input

■ Options

Parts	Description
DDR3L Memory	DDR3L-1333MHz: 4GB, 8GB
DDR4 Memory	DDR4-2400MHz: 4GB, 8GB, 16GB
mSATA SSD	64GB, 128GB, 256GB, 512GB, 1TB
Wifi Set	miniPCIE WIFI Set (7260 series) ,Cylindrical antenna
3G/4G Module	mini PCIE: EC20, EG25, EC25
Mount Option	DIN-Rail

Note: If some optional parts are offered with the system, additional system certificates may be required in certain regions/countries. Please contact NODKA for certificate compliance.