

NP-6135-L2

- Desktop High Performance CPU
- 4 x GbE LAN

■ Features

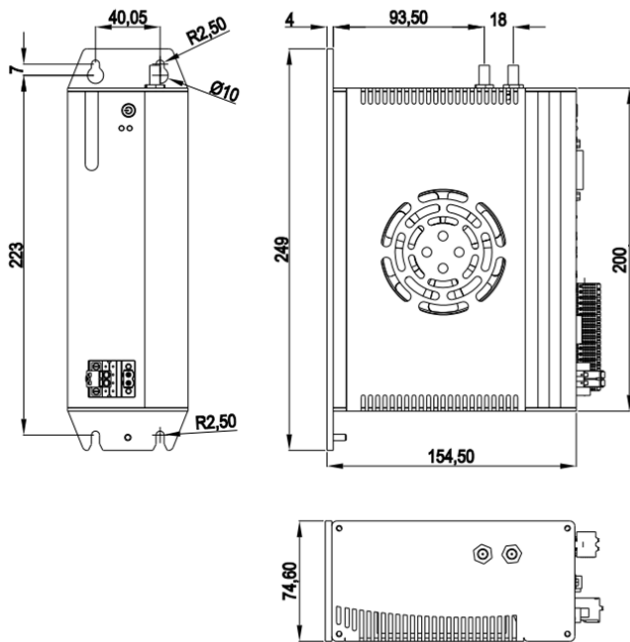
- Support Intel® Core™ 10th/11th generation i9/i7/i5/i3 high performance processors, Max. TDP 65W
- 4 x Intel GbE LAN controller
- 4 x USB3.0, USB2.0 Type A on board for dongle
- 2 x RS232/RS485, RS485 support auto flow control
- Support both VGA and HDMI display port
- DC12~24V Power supply with overcurrent, overvoltage and polarity inverse protection
- Support wall-mounted or DIN-Rail fixing style
- Wide operating temperature -20 ~ 60°C supported



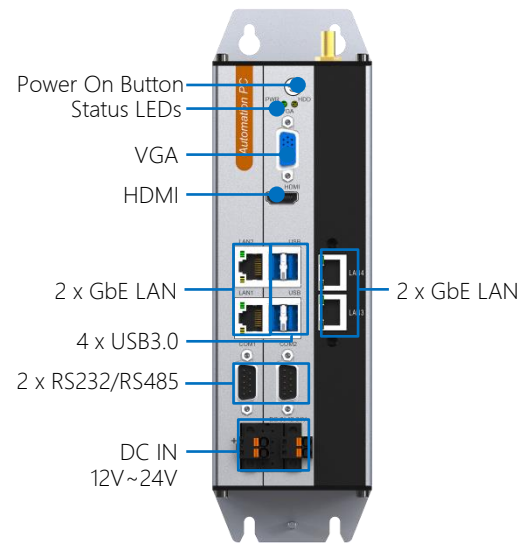
■ Specifications

| Model Name | | NP-6135-L2 | |
|-------------|----------------------------------|---|--|
| System | CPU | Intel® Core™ 10th/11th gen i9/i7/i5/i3 LGA1200 type CPU | |
| | TDP | Max. 65W | |
| | BIOS | AMI UEFI 64Mbit | |
| | Memory | 2 x SO-DIMM DDR4, max up to 32GB | |
| | Storage | | 1 x mSATA bay |
| | | | 1 x M.2(B Key, Type 2280) bay support SATA |
| | USB | 4 x USB3.0, 1 x USB2.0 Type A on the board for USB dongle | |
| | COM | 2 x COM(DB-9), selectable to support RS232 or RS485 mode by the switch, RS485 support auto flow control, (ESD protection for RS232: Air gap ±8KV, Contact ±6KV) | |
| | Ethernet | 4 x Intel GbE LAN controller | |
| | VGA | Support up to 1920 x 1200 @ 60Hz | |
| HDMI | Support up to 3840 x 2160 @ 60Hz | | |
| Watch Dog | 1~255 levels programmable | | |
| OS Support | Microsoft Windows | Windows 10 | |
| | Linux | Ubuntu, CentOS, Debian | |
| Power | Voltage Input | DC12~24V ±10%, overcurrent, overvoltage and polarity inverse protection | |
| | Power Consumption | Max. 120W | |
| Chassis | Structure | Aluminum-magnesium alloy BOX with fan embedded to assist cooling, Wall-mounted or DIN-Rail fixing style. | |
| | Dimensions | (L)200mm x (W)154.5mm x (H)74.6mm | |
| | Net Weight | 2.0Kg | |
| Environment | Work Temperature | -20°C ~ 60°C (-4°F~140°F) with air flow (SSD) | |
| | Storage Temperature | -40°C ~ 80°C (-40°F ~ 176°F) with air flow (SSD) | |
| | Relative Humidity | 5~95% (Non-condensing) | |
| | Operating Vibration | 5~500Hz, 1.5Grms@with SSD, Follow IEC60068-2-64 | |
| | Operating Shock | 20G peak acceleration(11ms duration) with SSD, Follow IEC60068-2-27 | |
| EMC | CE/FCC Class A | | |

■ Dimensions (Unit: mm)



■ Interfaces



■ Ordering Information

| Part No. | Product | Description |
|------------|------------|--|
| 6070200265 | NP-6135-L2 | CPU:NULL, RAM:NULL, mSATA:NULL, M.2 SATA:NULL, 2 x RS232/485(Selectable), 4 x LAN, 4 x USB3.0, VGA/HDMI display port, DC12~24V Power input |

■ Options

| Parts | Description | |
|--------------|--------------------------------|--|
| CPU | Intel® Core™ Comet lake | i3-10100T, i3-10100, i3-10105T, i3-10105, i5-10400T, i5-10400, i5-10500 |
| | Intel® Core™ Rocket lake | i5-11400T, i5-11500T, i5-11600T, i5-11400, i5-11500, i5-11600 |
| DDR4 Memory | DDR4, 4GB, 8GB, 16GB | |
| mSATA SSD | 64GB, 128GB, 256GB, 512GB, 1TB | |
| M.2 SATA SSD | 128GB, 256GB, 512GB, 1TB, 2TB | |
| Mount Option | DIN-Rail | |

Note: If some optional parts are offered with the system, additional system certificates may be required in certain regions/countries. Please contact NODKA for certificate compliance.