



WP2151T-R1

Industrial Panel PC

21.5" IP69K Stainless Steel Panel PC

- ◆ Support Intel® Celeron J1900 /J6412
- ◆ Support Intel® Core™ i3-8145U/i5-7200u

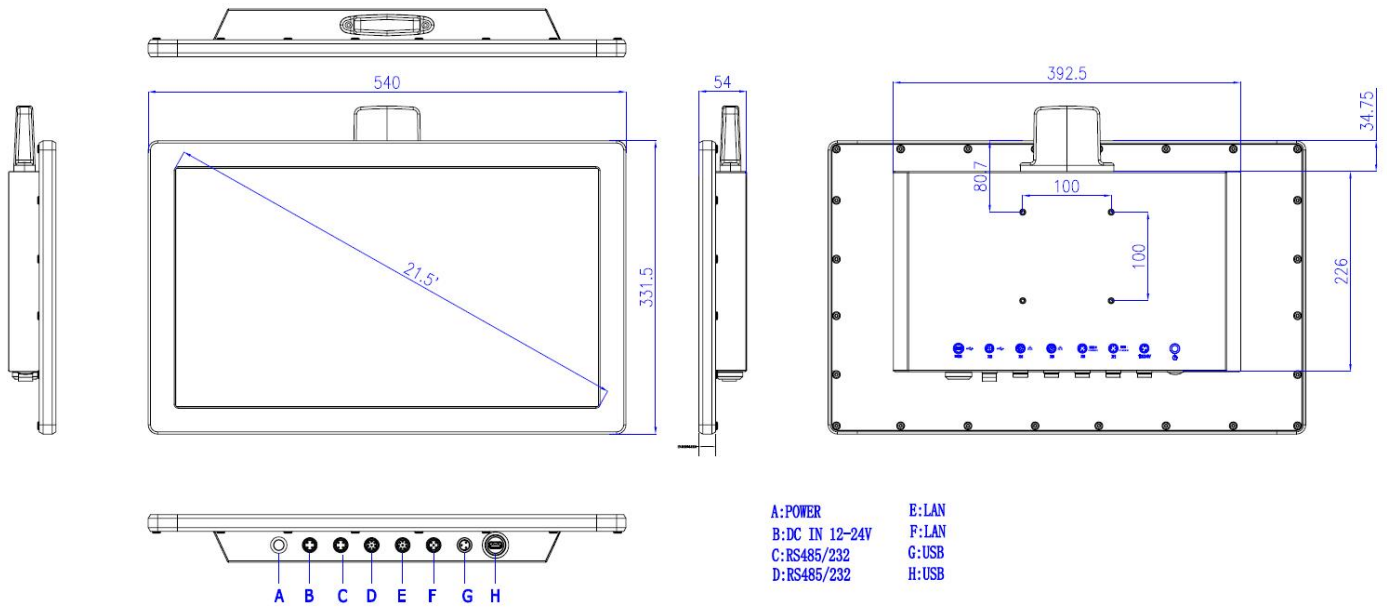




Specification:

System	CPU	J1900	7200U	J6412	8145U
	BIOS	Quad Core2.0GHz	Dual Core2.5GHz	Quad Core2.0GHz	Dual Core2.1GHz
	L2 Cache	2MB	3MB	1.5MB	4MB
	Chipset	Integrated PCH-LP			
	Memory	DDR3L- 1333/1600/1866 MHz up to 8GB		DDR4-2133/ 2400MHz support up to 16GB	
	Storage	1 x mSATA			
I/O	LAN	2 x Intel 1000Mbps			
	Audio	/			
	USB	2 x USB2.0			
	COM	2 x RS232 (option RS485 before ordering)			
	Mini PCIe	Option either Wifi or 4G/3G module (Default: wifi)			
Basic	Dimension (W x H x D)	540mm x 332mm x 54mm			
	Mounting	Desktop, VESA			
	Net weight	8.6kg			
Operation system	OS	Windows7, Windows8, Windows10, Linux			
Power	Power input	12-24VDC \pm 10% , Support reverse connection protection, over current protection			
	Max. power consumption	46Watt			
LCD	Type	21.5" Full HD TFT			
	Resolution	1920 x 1080			
	Colors	16.7MB			
	Active Area (W x H)	476.64mm x 268.11mm			
	Backlight	LED			
	MTBF (hours)	30000hrs			
	Pixel Pitch(H x V)	0.248 x 0.248			
	Luminance	300cd/m2			
	Contrast Ratio	3000 : 1			
Touch Screen	View angle	(L) 89 / (R) 89 / (T) 89 / (B) 89			
	Type	Resistive touch screen			
	Transmittance	> 75%			
	Controller interface	USB			
	Driver Support	Windows XP, Windows 7, Winows8, Windows 10, Linux			
	Response Time	< 5ms			
Working Environmental	Surface Hardness	Mohs' Number 3H			
	Work temperature	-10 ~ 50° C			
	Storage temperature	-20 ~ 60° C			
	Relative humidity	5~95% RH@40° C, non-condensing			
	Vibration	Operating Random Vibration Test 5~500Hz, 1.5Grms@with SSD, follow IEC 60068-2-64			
	Shock	Operating 10G peak acceleration (11ms duration), follow IEC 60068-2-27			
	EMC	CE/FCC Class B			
Waterproof	IP69K				

Dimension: Unit: mm



Order information:

Model NO.	Description
WP2151T-R1-J1900	21.5" LCD/ Resistive touch screen/ 1024*768/CPU J1900/no memory/no SSD/2LAN/2RS232(option RS485)/ 2USB/WIFI/DC IN 12~24V
WP2151T-R1-J6412	19" LCD/ Resistive touch screen/ 1024*768/CPU J6412/no memory/no SSD/2LAN/2RS232(option RS485)/ 2USB/WIFI/DC IN 12~24V
WP2151T-R1-WL8145U	19" LCD/ Resistive touch screen/ 1024*768/CPU i3-8145U/no memory/no SSD/2LAN/2RS232(option RS485)/ 2USB/WIFI/DC IN 12~24V
WP2151T-R1-SL7200U	19" LCD/ Resistive touch screen/ 1024*768/CPU i5-7200U/no memory/no SSD/2LAN/2RS232(option RS485)/ 2USB/WIFI/DC IN 12~24V

Option items:

Material NO.	Spec.
5040200005	WIFI (7260 Series) with waterproof housing
5040100001	EC20 (4G/3G module)
2020200067	M12 plug with 5pin (USB) Length=2Meters
2020200068	M12 plug with 4pin (COM) Length=2Meters
2020200069	M12 plug with 8pin (LAN cable) Length=2Meters
2010300015	IP67 waterproof Meanwell power adapter OWA-60E-12 (EU type plug)