

---

# **IDP-59185-C-L**

V0A

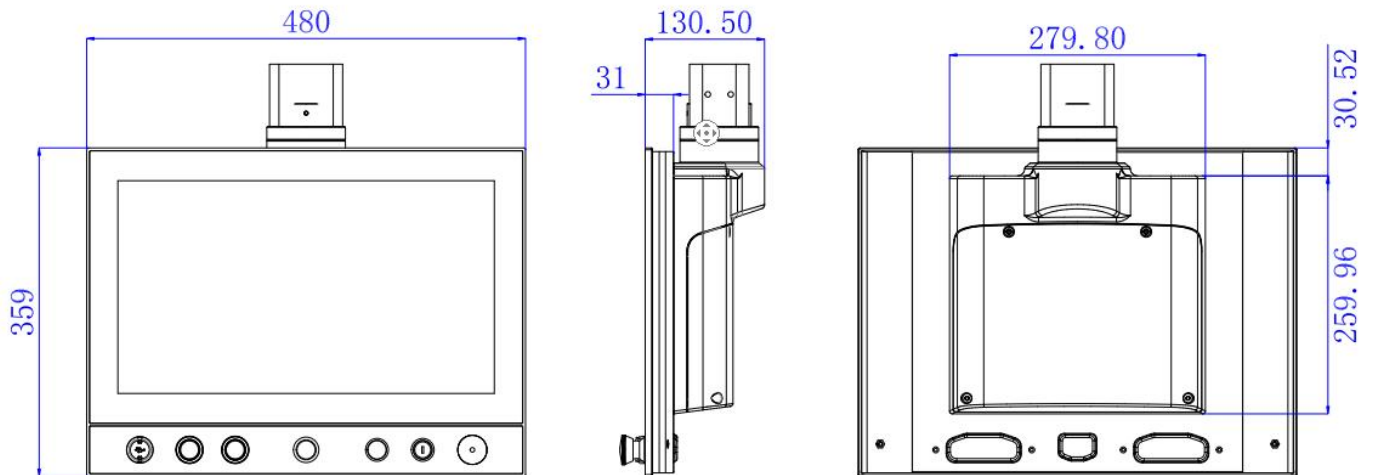
## **INDUSTRIAL OPERATION PANEL**

Highly integrated cantilever display panel for industrial systems

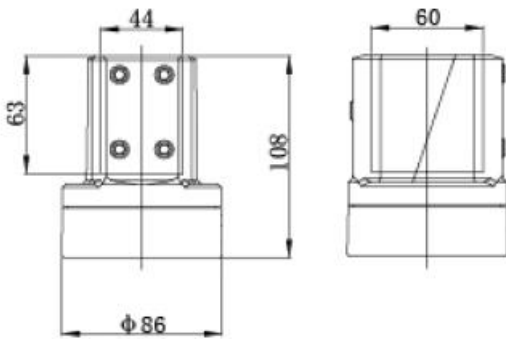
**Specifications:**

<b>Input interface</b>	Signal input	Supports VGA+HDMI input
	Communication interface	USB2.0 input
<b>Physical</b>	Weight	8.24 KG
	ARM stand Direction	Optional Up or Down
	ARM tube size supported	Option 4460 and 5575
	Keyboard stand	Option
	Operation Button	Optional Item, Nodka Standard: USB, Rotatable switch(90 degrees), Push button (Green, Red ), Key switch, Emergency stop switch)
	Dimension (W x H x D)	480mm * 359mm * 130.5mm
<b>Power</b>	Input voltage	DC 12-24V support reverse polarity protection, overvoltage protection, overcurrent protection
	Minimum Power Dissipation	15W
<b>LCD</b>	LCD Type	18.5" HD TFT
	Resolution	1366 x 768
	Colors	16.7MB
	Active Area (W x H)	409.8mm x 230.4mm
	Backlight	LED
	MTBF (hour)	30000hrs
	Pixel Pitch (H x V)	0.248 x 0.248
	Luminance	250cd/m <sup>2</sup>
	Contrast Ratio	1000:1
	Viewing Angle	(L) 85 / (R) 85 / (T) 80 / (B) 80
<b>Touchscreen</b>	Touchscreen type	Capacitive Touchscreen
	Transmittance	> 81%
	Response Time (touch pen)	< 5ms
	Surface Hardness	Mohs 7H
	Click Life	250g / 100,000,000 times
	Multi-touch	10 Points
<b>Environmental</b>	Work Temperature	-10 ~ 60°C (14~140°F)
	Storage Temperature	-20 ~ 80°C (-4 ~ 176°F)
	Relative Humidity	5~95% (Non-condensation)
	Vibration	Operating Random Vibration Test 5~500Hz, 1.5Grms@with SSD, follow IEC 60068-2-64
	Shock	Operating 10G peak acceleration (11ms duration), follow IEC 60068-2-27
	EMC	CE/FCC Class A
	Front panel protection	IP65 Compliant

**Dimension:** 480mm \* 359mm \* 130.5mm



**4460 type ARM Stand connection Dimension: (option 5575 type)**



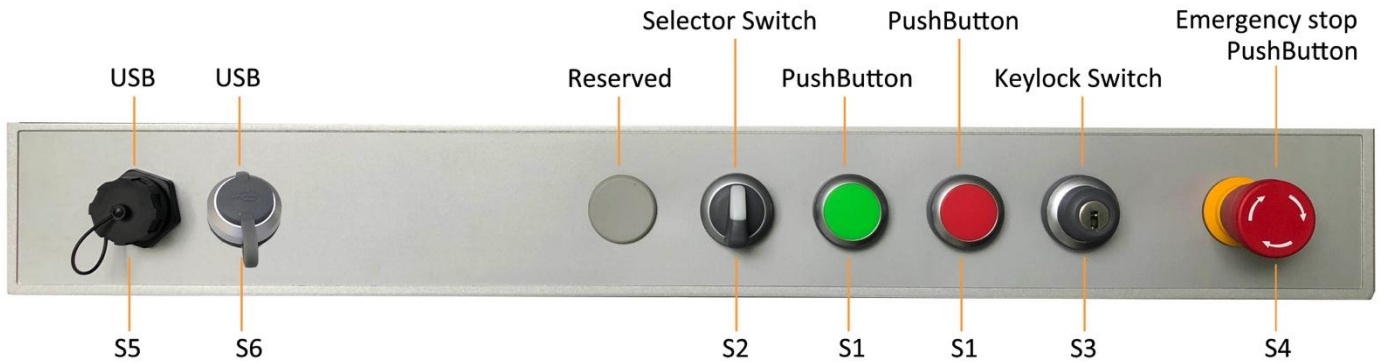
**Order information:**

Product model	Specification
IDP59185-C-L	18.5"LCD/1366*768/ capacitive touchscreen/DC12V~24V input

**Option ARM Tube:**

Product model	Specification
Keyboard Stand	Aluminum
4460 type ARM Tube	Refer to the following sheet (If you prefer 5575 type please contact with sales rep)

## Nodka Standard Panel Buttons for GEN-II / 诺达佳GEN-II悬臂标准按钮:



NO.	Order NO. / 料号	Name/品名	Contact Block / 触点
S1	5070200001	PushButton-Green / 按钮开关-绿	1NO+1NC
	5070200002	PushButton-Red / 按钮开关-红	1NO+1NC
	5070200003	PushButton-White / 按钮开关-白	1NO+1NC
	5070200004	PushButton-Blue / 按钮开关-蓝	1NO+1NC
	5070200005	PushButton-Yellow / 按钮开关-黄	1NO+1NC
S2	5070500001	Selector Switch, Rotating angle:90°C 选择开关, 可旋转90度	1NO+1NC
S3	5070400002	Keylock Switch, Rotating angle:90°C 钥匙开关, 可旋转90度	1NO+1NC
S4	5070300001	Emergency stop PushButton 急停按钮	2NC
S5	5070100002	USB	/
S6	5080000003	USB	/
Reserved	2090500005	Water-proof plug / 防水塞 (预留)	/

Please check the following detail:

## RAFI Button Contact block(standard)

1- Contact block for Selector switch, pushbutton, keylock switch: 1.20.126.003/9000

标准选择开关 / 按钮开关 / 钥匙开关触点: 1.20.126.003/9000



### RAFIX FS Contact block PCB gold, Universal, with light conductor

Technical data see page 2 - 241



→ Contact arrangement	Lamp optional	Operating life at 10 mA / 24 V DC	B10	Color of plunger	Order no.
1 NO	SMT LED	1,000,000	1,300,000	green	1.20.126.002/9000
1 NC	SMT LED	1,000,000	1,300,000	red	1.20.126.001/9000
2 NO	SMT LED	1,000,000	1,300,000	green	1.20.126.005/9000
2 NC	SMT LED	1,000,000	1,300,000	red	1.20.126.004/9000
1 NC + 1 NO	SMT LED	1,000,000	1,300,000	red and green	1.20.126.003/9000

Caution: can not be used with emergency stop and mushroom headed pushbuttons.

2- Contact block for Emergency stop pushbutton: 1.20.126.404/9000 (急停触点)

### RAFIX FS Contact block PCB gold, E-Stop, with light conductor

Technical data see page 2 - 241



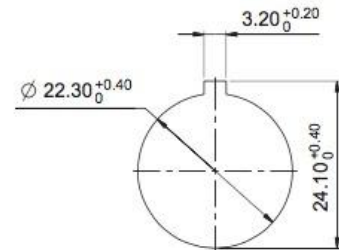
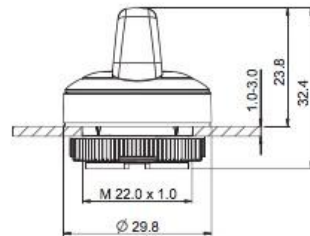
→ Contact arrangement	Lamp optional	Operating life at 10 mA / 24 V DC	B10	Color of plunger	Order no.
1 NO	SMT LED	1,000,000	1,300,000	green	1.20.126.402/9000
1 NC	SMT LED	1,000,000	1,300,000	red	1.20.126.401/9000
2 NO	SMT LED	1,000,000	1,300,000	green	1.20.126.405/9000
2 NC	SMT LED	1,000,000	1,300,000	red	1.20.126.404/9000
1 NC + 1 NO	SMT LED	1,000,000	1,300,000	yellow	1.20.126.403/9000

## Standard Buttons / 标准品按钮:



### RAFIX 22 FS<sup>+</sup> Selector switch, round collar

Technical data see page 2 - 173



Panel cut-out to IEC 60947-5-1

→ Illuminability	Contact function	Rotating angle		Order no.	
				Plastic front ring	Metallized front ring
yes	momentary	1 x 40°		1.30.272.001/22xx	1.30.272.002/2200
yes	momentary	2 x 40°		1.30.272.026/22xx	1.30.272.027/2200
yes	latching	1 x 90°, form L		1.30.272.101/22xx	1.30.272.102/2200
yes	latching	1 x 90°, form V		1.30.272.201/22xx	1.30.272.202/2200
yes	latching	2 x 60°		1.30.272.301/22xx	1.30.272.302/2200
yes	latching 1 x 90° and momentary 1 x 40°	1 x 90° and 1 x 40°		1.30.272.426/22xx	1.30.272.427/2200

xx = Front ring color: black = 01, red = 03, yellow = 04, green = 05, blue = 06, slate grey = 07, silver grey = 08

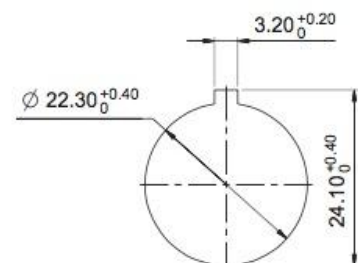
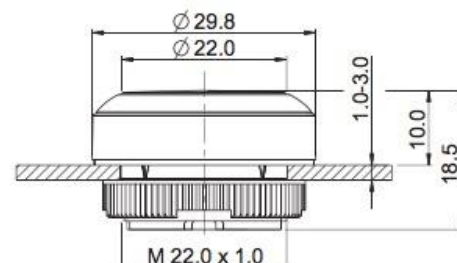
Other contact functions and handle marking colors available on request.

For colored illumination of the handle marking please use colored LED.



### RAFIX 22 FS<sup>+</sup> Pushbutton, flush lens, round collar

Technical data see page 2 - 159



Panel cut-out to IEC 60947-5-1



→ Illuminability	Color of lens	Order no. momentary		Order no. latching	
		Plastic front ring	Metallized front ring	Plastic front ring	Metallized front ring
yes	translucent red	1.30.270.001/23xx	<a href="#">1.30.270.021/2300</a>	1.30.270.011/23xx	1.30.270.031/2300
yes	translucent yellow	1.30.270.001/24xx	1.30.270.021/2400	1.30.270.011/24xx	1.30.270.031/2400
yes	translucent green	1.30.270.001/25xx	<a href="#">1.30.270.021/2500</a>	1.30.270.011/25xx	1.30.270.031/2500
yes	translucent blue	1.30.270.001/26xx	1.30.270.021/2600	1.30.270.011/26xx	1.30.270.031/2600
yes	translucent white	1.30.270.001/22xx	1.30.270.021/2200	1.30.270.011/22xx	1.30.270.031/2200
no	opaque slate-grey	1.30.270.001/07xx	1.30.270.021/0700	1.30.270.011/07xx	1.30.270.031/0700
no	opaque black	1.30.270.001/01xx	1.30.270.021/0100	1.30.270.011/01xx	1.30.270.031/0100

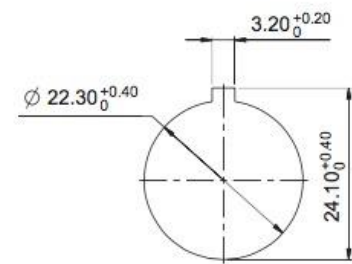
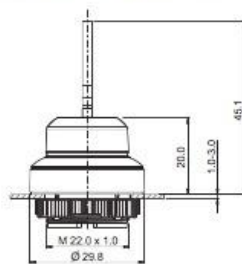
xx = Front ring color: black = 01, red = 03, yellow = 04, green = 05, blue = 06, slate grey = 07, silver grey = 08

Legending on request.



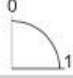




## RAFIX 22 FS<sup>+</sup> Keylock switch compact, round collar

Technical data see page 2 - 179



Panel cut-out to IEC 60947-5-1

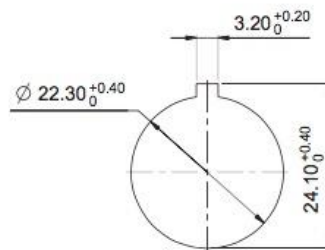
→ Contact function	Rotating angle	Key removal position	Order no.		
			Plastic front ring	Metallized front ring	
momentary	1 x 40°		0	1.30.275.001/xxxx	1.30.275.002/0000
momentary	2 x 40°		0	1.30.275.101/xxxx	1.30.275.102/0000
latching	1 x 90°, L shape		0+1	1.30.275.221/xxxx	<a href="#">1.30.275.222/0000</a>
latching	1 x 90°, V shape		0+1	1.30.275.321/xxxx	1.30.275.322/0000
latching 1 x 90° and momentary 1 x 40°	1 x 90° and 1 x 40°		0	1.30.275.501/xxxx	1.30.275.502/0000

xxxx = Front ring color: black = 0100, slate grey = 0700, silver grey = 0800

# RAFIX 22 FS<sup>+</sup>

## Emergency stop pushbutton, reset by rotation

Technical data see page 2 - 184



Panel cut-out to IEC 60947-5-1

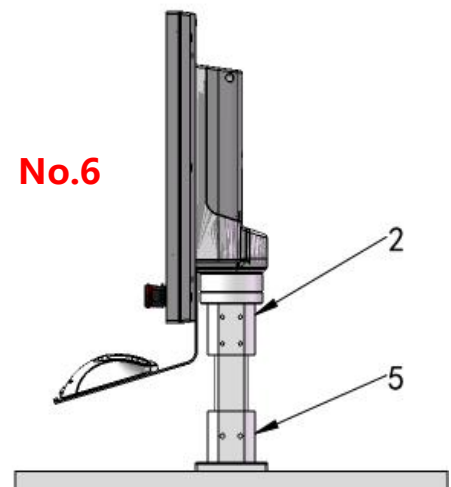
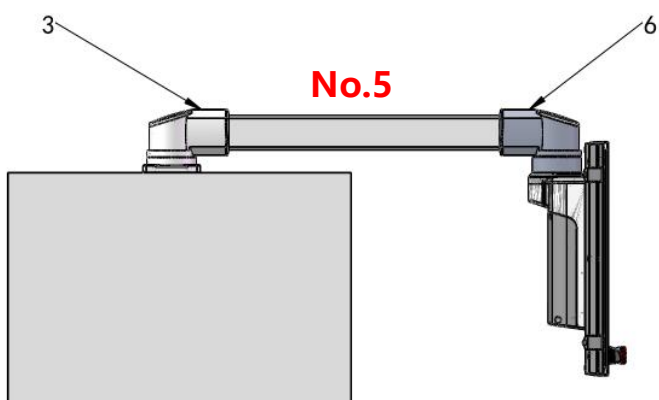
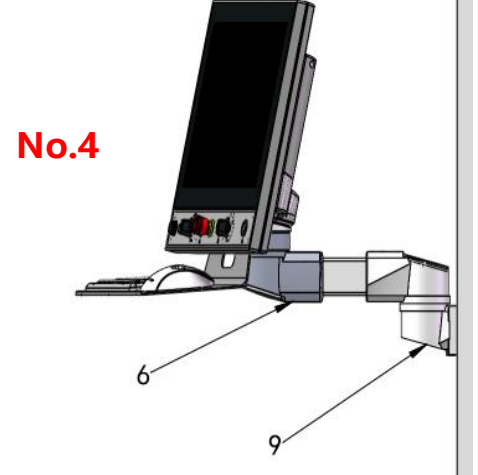
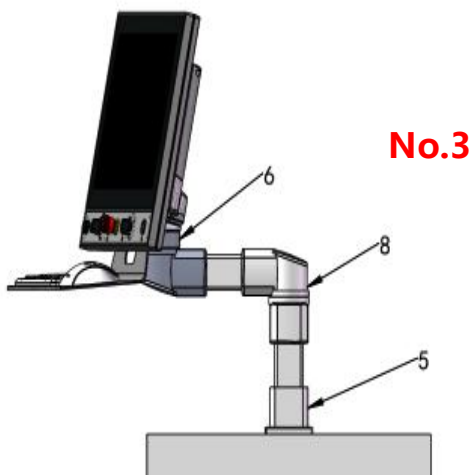
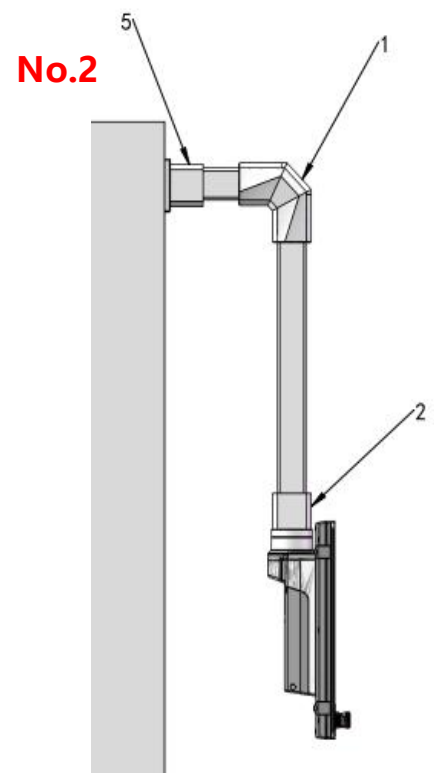
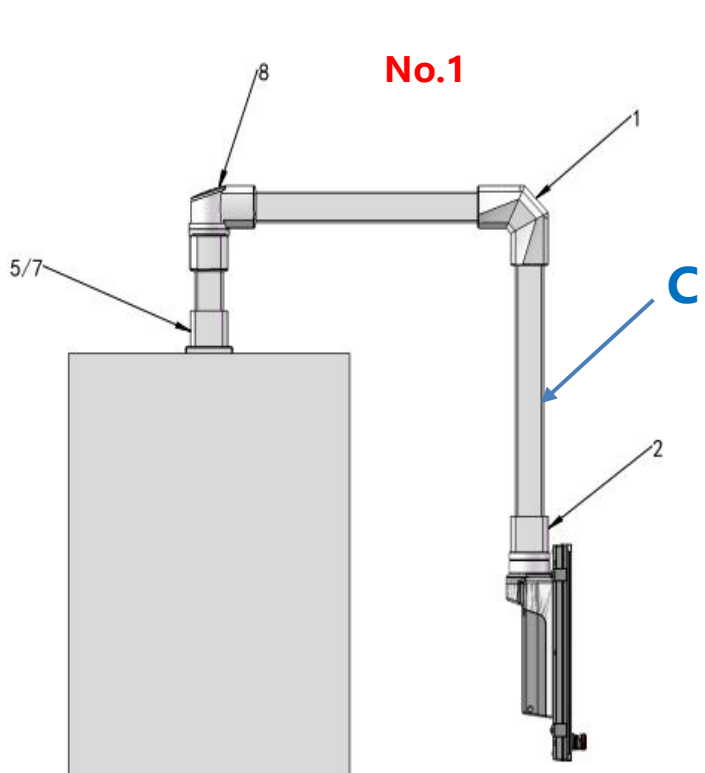







→ Reset	Illuminability	Degree of protection from front side	Order no.
by clockwise rotation	yes, lens translucent	IP65 (DIN EN 60529)	1.30.273.001/2200
by clockwise rotation	yes, lens translucent red	IP65 (DIN EN 60529)	1.30.273.001/2300
by clockwise rotation	no	IP65 (DIN EN 60529)	<b>1.30.273.501/0300</b>


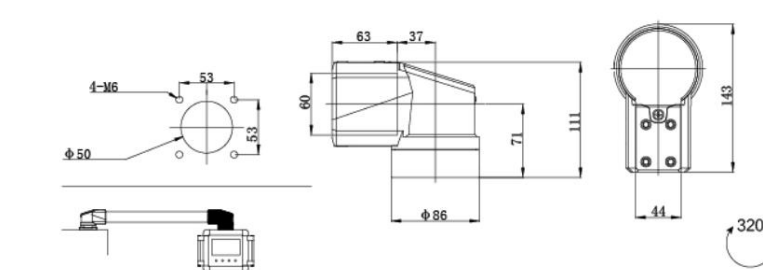

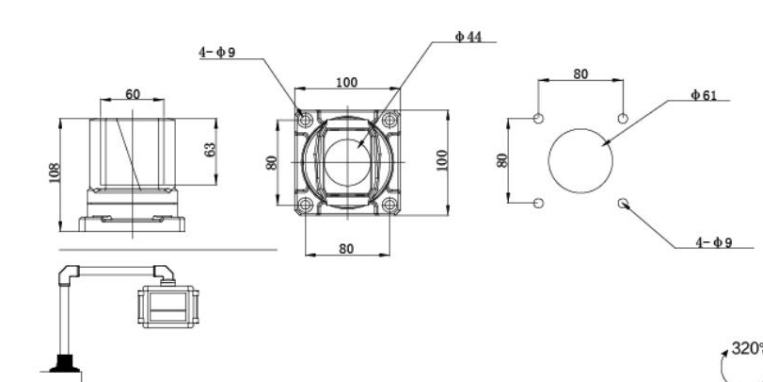

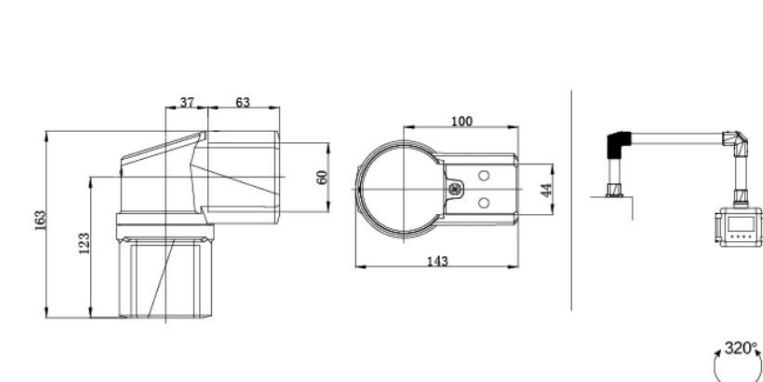

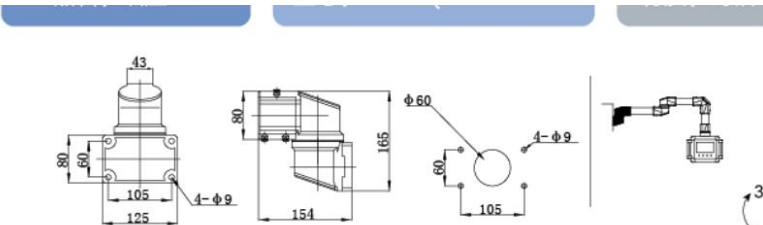
Only use with E-stop contact blocks



## Installation Guide/安装指南:



NO	Order NO. 料号	Material Name and Drawing 材料名称及图纸
1	2081400038	<p>90° Corner/90度转角:</p> 
2	2081400041	<p>Box Connector / 箱座:</p> 
3	2081400032	<p>90° Base / 顶座:</p> 
4	2081400034	<p>Tube Connector / 中间连接件: (Rotating Angle: 0~320°)</p> 
5	2081400039	<p>Base(Non-rotatable) / 底座(不可旋转):</p> 

<p>6</p>	<p>2081400031</p>	<p>90° Box Connector / 90度箱体连接器:</p> 	
<p>7</p>	<p>2081400040</p>	<p>Rotating Base / 可旋转底座:</p> 	
<p>8</p>	<p>2081400036</p>	<p>90° Corner / 可旋转90度转角: Rotating Angle: 90°</p> 	
<p>9</p>	<p>2081400033</p>	<p>Horizontal base / 水平底座: Horizontal Rotation Angle: 90°</p> 	
<p>C</p>	<p>2081400019 2081400018 2081400026 2081400030</p>	<p>Length: 25cm Length: 50cm Length: 100cm Length: 150cm</p>	