



# IPC615H

Industrial Computer



4U, 19" standard rack-mount IPC  
Intel® Core™ 8<sup>th</sup> / 9<sup>th</sup> i7 / i5 / i3, LGA1151





## Specifications :



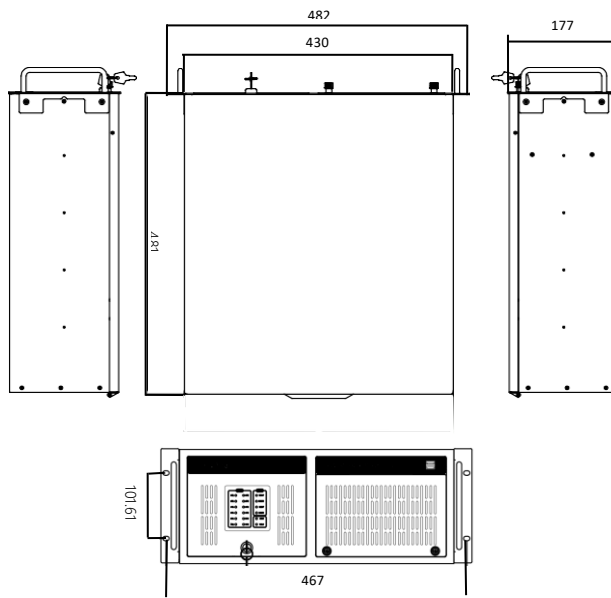
Processor	CPU	Intel® Core™ 8 <sup>th</sup> / 9 <sup>th</sup> i7 / i5 / i3 / , LGA1151, Support MAX CPU TDP: Hexa-Core 95W(Do not support Octa-Core 65W/95w CPU)
	Chipset	Intel® Q370, TDP 6W
	BIOS	AMI UEFI BIOS(Support Watchdog Timer)
Memory	Architecture	DDR4 2400/2666 MHz
	Capacity	up to 64GB
	DIMM	4 x 284-pin SODIMM
Display	VGA	Up to 1920 x 1200
	DVI-D (DVI-I)	up to 1920x1200@60Hz
	HDMI	Support 1920 x 1200
	Multi screen	Yes, VGA +DVI+ HDMI
LAN	LAN1	1 x I219 GBE LAN Chip (RJ45, 10/100/1000 Mbps)
	LAN2	1 x I211 GBE LAN Chip (RJ45, 10/100/1000 Mbps)
Audio	Port	Realtek ALC662 5.1 Channel HDA Codec, Line-out, Mic-in.
I/O	COM	1 x RS-232, 1 x RS-485(Optional)
	PS2	1 x PS2 Keyboard and Mouse
	USB	4 x USB3.0/2.0/1.1, 4 x USB2.0/1.1
Extension interface	Mini pcie	1 x Mini PCI-E Slot (WIFI+4G)
	GPIO	8 x GPIO
	COM	3 x RS-232 + 1 x RS232/422/485 + 1 x RS-232/485
	USB	2 x USB3.0 + 2 x USB2.0
PCI/PCIe	PCIe	1 x PCIe 4X slot, 4 x PCIe 4X slot
	PCI	2 x PCI slot
Storage Medium	HDD	4 x SATA 3.0 Connector
	SSD	1 x full size mSATA SSD
OS	Microsoft	Windows 10
	Linux	Linux
Power	Type	ATX
	Input voltage	AC220V
	power waste	400W
Mechanism Parameters	Box structure	Full steel box structure
	Mounting	19-inch standard rack-mounted
	Dimensions	482.6mm x 177.8mm x 403.4mm (19" * 7" * 15.88")
	NW	9.62kg (21.21lb)
Environmental	Work Temperature	-20 ~ 60° C (-4 °F ~140 °F ) (Wide temperature SSD) 0 ~ 45° C (32 °F ~113 °F ) (General temperature HDD/SSD)
	Storage	-40 ~ 80° C (-40 ~ 176 °F )
	Relative humidity	5~95% (Non condensation)
	Shake	SSD applied: 1.5 Grms, IEC 60068-2-64, random, 5 ~ 500 Hz, 1 hr/axis
	Shock	SSD applied: 10 G, IEC 60068-2-64, Half-sine wave, 11ms duration
	EMC	CE/FCC Class A
	Safety Certification	CCC

Industrial Computer

## Dimensions:

IPC615H

Unit: mm



## Ordering Information:

Product Code	Description
IPC615H-Q370	No CPU/No Memory/No Hard Disk/1*RS232/2*Gigabit Ethernet ports/4*USB2.0/4*USB3.0/1*PS2/HDMI/VGA/DVI/2*PCI/4*PCIe 4X/1*PCIe 16X/400W Power Supply/AC220V input/19"Upper rack cabinet

## Optional Equipment:

CPU	Intel® Core™ 8 <sup>th</sup> / 9 <sup>th</sup> i7 / i5 / i3 / , LGA1151 Support MAX CPU TDP: Core 95W
Memory	DDR4 2400/2666 MHz, up to 64GB
Hard disk	Support 2.5"/3.5", mSATA
CD-ROM	Desktop Computer CD-ROM
Keyboard/Mouse	Optional

## Packing List:

-	1 x Power line
-	Warranty Card
-	Manufacturer Certificate