



PANEL5000-C172-L A1 **Touch Screen Monitor**



17" SXGA Capacitive Touch Screen Monitor



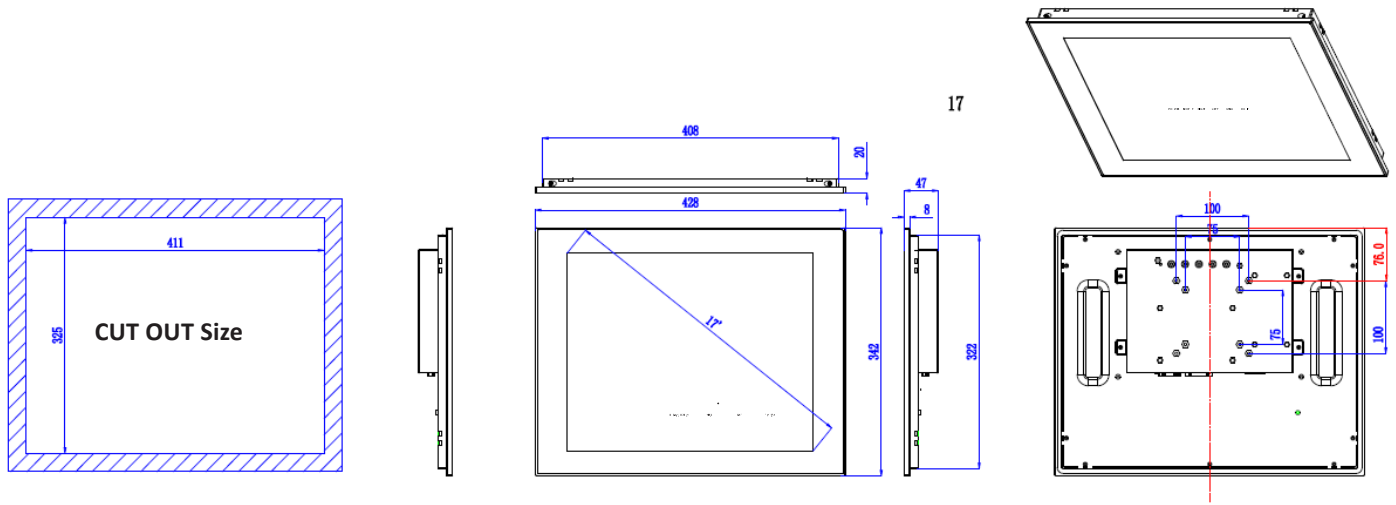
Specifications :



General	Control button	Set Contrast ratio and Luminance via OSD at the back panel
	Dimensions (W x H x D)	428mm x 342mm x 47mm (16.85" x 13.46" x 1.85")
	Cut out Size (W x H)	411mm x 325mm (16.18" x 12.80")
	Box structure	Front panel: aluminum-magnesium alloy, anodized coating; Back cover: SGCC, Ground isolation protection
	Mounting	Support Panel mounted, wall-mounted and Desktop (VESA 75x75 & 100x100)
	Power Supply	DC 12 - 24V
	Power Dissipation	12W
	Signal input	VGA & DVI-D
	Weight	4.34kg (9.57lb)
LCD	LCD Size	17" SXGA TFT
	Resolution	1280 x 1024
	Colors	16.7MB
	Active Area (W x H)	338mm x 270mm (13.31"x 10.63")
	Backlight	LED
	MTBF	30000hrs
	Pixel Pitch (H x V)	0.264 x 0.264
	Luminance	250cd/m ²
	Contrast Ratio	1000 : 1
	Viewing Angle	(L) 85 / (R) 85 / (T) 80 / (B) 80
Touchscreen	Type	Multi-point capacitive touch screen
	Transmittance	> 87%
	Controller interface	USB
	Driver Support	Windows XP, Windows 7, Winows8, Windows 10, Linux
	Multi-touch	10 points (windows system)
	Surface Hardness	Mohs' Number 7H
Environmental	Operating Temperature	-20 ~ 60° C (-4~140 °F)
	Storage Temperature	-30 ~ 80°C (-22 ~ 176 °F)
	Relative humidity	10~95% RH@40°C,non-condensing
	Vibration	Operating Random Vibration Test 5~500Hz, 1.5Grms@with SSD, follow IEC 60068-2-64
	Shock	Operating 10G peak acceleration (11ms duration), follow IEC 60068-2-27
	EMC	CE/FCC Class A
	Front panel protection	IP65 compliant

Dimensions:

Unit : mm



A:USB	B:DC IN	C:DVI-D	D:VGA
-------	---------	---------	-------

Ordering Information:

Product Code	Description
PANEL5000-C172-L	17" TFT LCD/Capacitive Touch Screen/DC12-24V input/1280*1024

Packing List:

Mounting screws	4*pcs (Thickness=1mm~1.2mm)
Terminal	2pin Phoenix terminal
VGA Cable	1.8M
USB Cable	1.8M

Optional Items:

Adapter	12V/3.33A,40W 2pin Phoenix terminal
Power Cord	1.8M/3M/5M
VGA Cable	3M/5M
USB Cable	3M/5M
DVI Cable	1.8M/3M/5M