



PANEL5000-C192-L

A1 Touch Screen Monitor



19" Capacitive Touch Screen Monitor

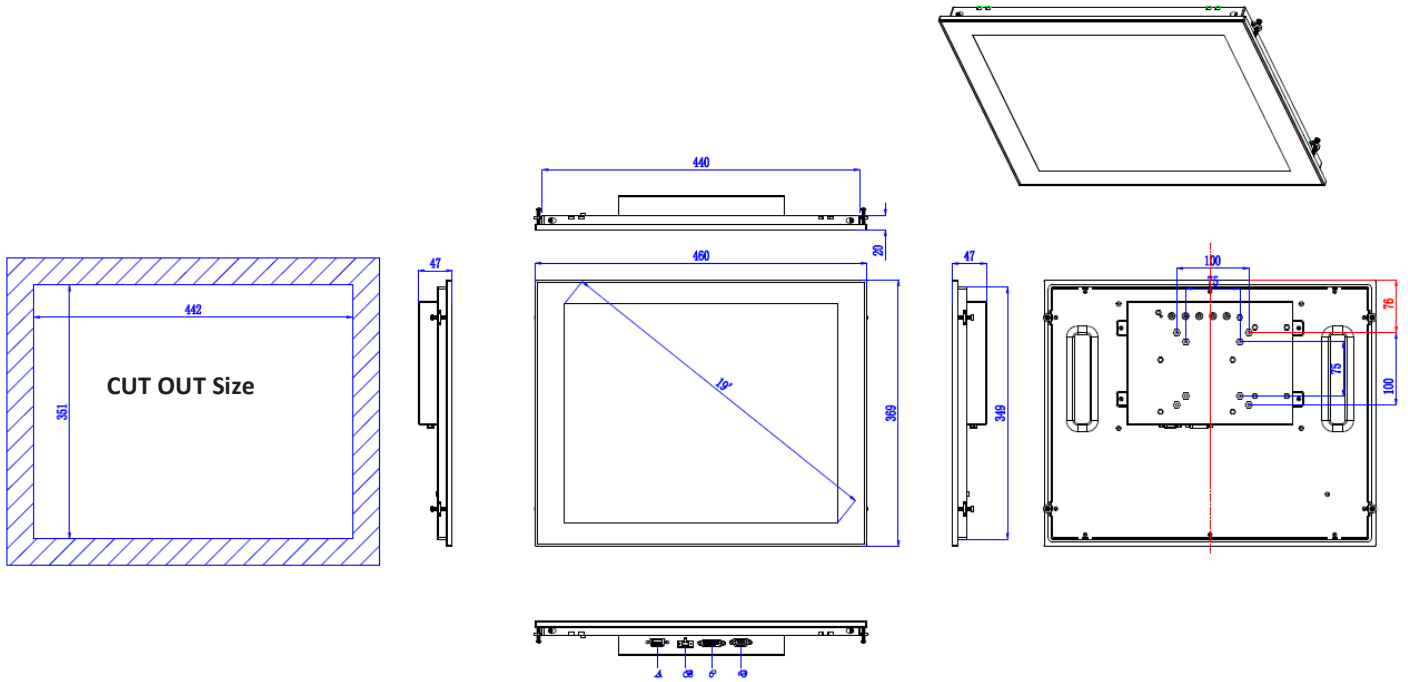


Specifications :

General	Control button	Set Contrast ratio and Luminance via OSD at the back panel
	Dimensions (W x H x D)	460mm x 369mm x 47mm (18.11" x 14.52" x1.85")
	Cut out Size (W x H)	442mm x 351mm (17.40" x 13.81")
	Box structure	Front panel: aluminum-magnesium alloy, anodized coating ;Back cover: SGCC, Ground isolation protection
	Mounting	Support panel mounted, wall-mounted, Desktop (VESA 75x75 & 100x100)
	Power Supply	DC 12 - 24V
	Power Dissipation	14W
	Signal input	VGA & DVI-D
	Weight	5.18kg (11.42lb)
LCD	LCD Size	19" HD TFT
	Resolution	1280 x 1024
	Colors	16.7MB
	Active Area (W x H)	376.32mm x 301.06mm (14.82"x11.85")
	Backlight	LED
	MTBF	30000hrs
	Pixel Pitch(H x V)	0.294 x 0.294
	Luminance	250cd/m ²
	Contrast Ratio	1000 : 1
	Viewing Angle	(L) 85 / (R) 85 / (T) 80 / (B) 80
Touchscreen	Type	Multi-point capacitive touch screen
	Transmittance	> 87%
	Controller interface	USB
	Driver Support	Windows XP, Windows 7, Winows8, Windows 10, Linux
	Multi-touch	10 points (windows system)
	Surface Hardness	Mohs' Number 7H
Environmental	Operating Temperature	-20 ~ 60° C (-4~140° F)
	Storage Temperature	-30 ~ 80° C (-22 ~ 176° F)
	Relative humidity	10~95% RH@40°C,non-condensing
	Vibration	Operating Random Vibration Test 5~500Hz, 1.5Grms@with SSD, follow IEC 60068-2-64
	Shock	Operating 10G peak acceleration (11ms duration), follow IEC 60068-2-27
	EMC	CE/FCC Class A
	Front panel protection	IP65 compliant

Dimensions:

Unit : mm



A:USB	B:DC IN	C:DVI	D:VGA
-------	---------	-------	-------

Ordering Information:

Product Code	Description
PANEL5000-C192W-L	19" TFT LCD/Capacitive Touch Screen/DC12-24V input/1280*1024

Packing List:

Mounting screws	8*pcs apply to Thickness=1mm~1.2mm
Terminal	2pin Phoenix terminal
VGA Cable	1.8M
USB Cable	1.8M

Optional Items:

Adapter	12V/3.33A,40W 2pin Phoenix terminal
Power Cord	1.8M/3M/5M
VGA Cable	3M/5M
USB Cable	3M/5M
DVI Cable	1.8M/3M/5M