



WP1501P-C



Touch Screen Monitor

15" XGA Capacitive Touch Screen





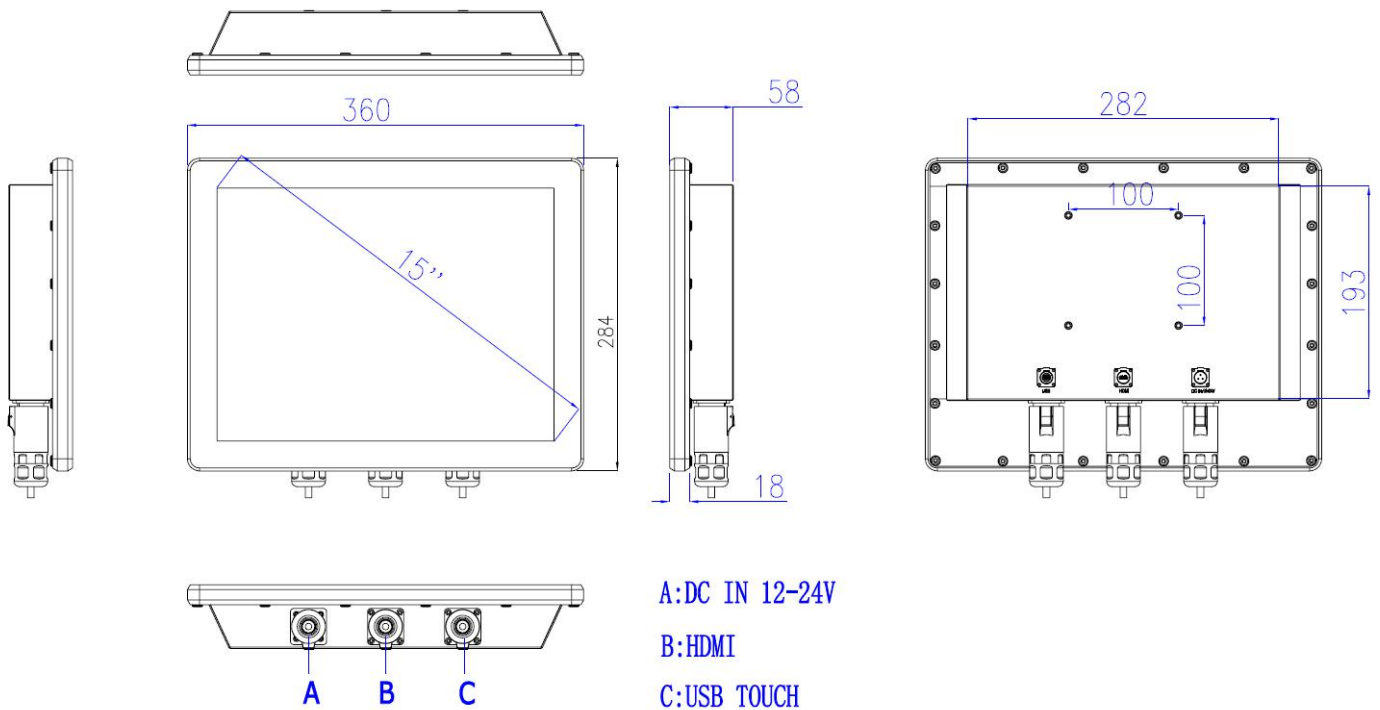
Specifications:



	Item	Parameter
General	Control Buttons	-
	Dimensions (W x H x D)	360mm x 284mm x 58mm
	Drill Hole Size (W x H)	-
	Box structure	Stainless steel machine, drawing process
	Mounting	Support Embedded, wall-mounted, Desktop and VESA mountin
	Power Supply	DC 12-24V
	Maximum Power Dissipation	13.6W
	Signal input	HDMI
	Nw	-kg
LCD	LCD Size	15" XGA TFT
	Resolution	1024*768
	Colors	16.7MB
	Active Area (W x H)	304.13mm x 228.10mm (11.97" x 8.98")
	Backlight	LED
	Backlit MTBF	30000hrs
	Pixel Pitch(H x V)	0.297 x 0.297
	Luminance	420cd/m2
	Contrast Ratio	800 : 1
Touchscreen	Viewing Angle	(L) 80 / (R) 80 / (T) 60 / (B) 80
	Type	Multi-point capacitive touch screen
	Transmittance	≥ 87%
	Controller interface	USB
	Driver Support	Windows XP, Windows 7, Winows8, Windows 10, Linux
	Response Time	10 points (windows system)
Environmental	Surface Hardness	Mohs' Number 7H
	Work Temperature	-20 ~ 60°C (-4~140°F)
	Storage Temperature	-30 ~ 80°C (-22 ~ 176°F)
	Relative humidity	10~95% RH@40°C, non-condensing
	Shake	SSD applied: 1.5 Grms, IEC 60068-2-64, random, 5 ~ 500 Hz, 1 hr/axis
	Shock	SSD applied: 10 G, IEC 60068-2-27, Half-sine wave, 11ms duration
	EMC	CE/FCC Class B
Water-proof	The whole machine IP69K	

Dimensions

unit: mm



Ordering Information:

Product Code	Description
WP1501P-C	15"XGA LCD/ / Capacitive touch screen / 1024*768 /1×HDMI / 1×USB / DC12-24V

Packing List:

Product Code	Description
2010300017	OWA-60E-12 waterproof Meanwell power adapter
2020200070	LP24-USB3-MP-MP-2M-001 Length=2Meters
2020200072	LP24-HDMI 2.0 Length=2Meters