



# WP1901P-C

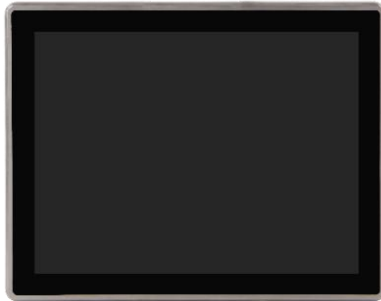
---



## Touch Screen Monitor

19" SXGA Capacitive Touch Screen





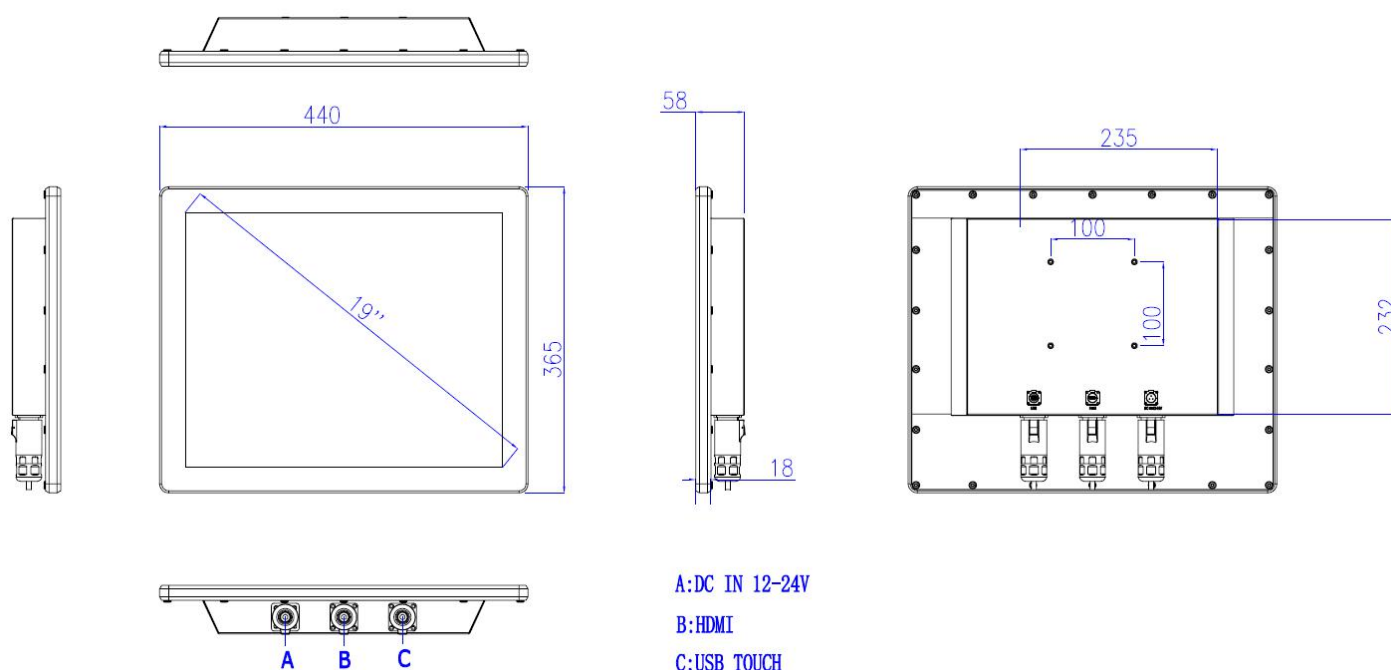
## Specifications:



	Item	Parameter
General	Control Buttons	-
	Dimensions (W x H x D)	440mm x 365mm x 58mm
	Drill Hole Size (W x H)	-
	Box structure	Stainless steel machine, drawing process
	Mounting	Support Embedded, wall-mounted, Desktop and VESA mountin
	Power Supply	DC 12-24V
	Maximum Power Dissipation	18.4W
	Signal input	HDMI
	Nw	-kg
LCD	LCD Size	19" SXGA TFT
	Resolution	1280 x 1024
	Colors	16.7MB
	Active Area (W x H)	376mm x 301mm (14.82" x 11.85")
	Backlight	LED
	Backlit MTBF	30000hrs
	Pixel Pitch(H x V)	0.294 x 0.294
	Luminance	250cd/m2
	Contrast Ratio	1000 : 1
Viewing Angle	(L) 85 / (R) 85 / (T) 80 / (B) 80	
Touchscreen	Type	Multi-point capacitive touch screen
	Transmittance	≥ 87%
	Controller interface	USB
	Driver Support	Windows XP, Windows 7, Winows8, Windows 10, Linux
	Response Time	10 points (windows system)
	Surface Hardness	Mohs' Number 7H
Environmental	Work Temperature	-20 ~ 60°C (-4 ~ 140°F)
	Storage Temperature	-30 ~ 80°C (-22 ~ 176°F)
	Relative humidity	10~95% RH@40°C, non-condensing
	Shake	SSD applied: 1.5 Grms, IEC 60068-2-64, random, 5 ~ 500 Hz, 1 hr/axis
	Shock	SSD applied: 10 G, IEC 60068-2-27, Half-sine wave, 11ms duratio
	EMC	CE/FCC Class B
Water-proof	The whole machine IP69K	

### Dimensions

unit: mm



### Ordering Information:

Product Code	Description
WP1901P-C	19" SXGA LCD / / Capacitive touch screen / 1280*1024 / 1×HDMI / 1×USB / DC12-24V

### Packing List:

Product Code	Description
2010300017	OWA-60E-12 waterproof Meanwell power adapter
2020200070	LP24-USB3-MP-MP-2M-001 Length=2Meters
2020200072	LP24-HDMI 2.0 Length=2Meters