



eBOX-3000-ETC

V1.0

Fanless Industrial Computer



Intel® Cor™ 6th/7th generation i7/i5/i3/Pentium/Celeron
LGA1151 high performance processor
Rack-mounted and fanless mini PC



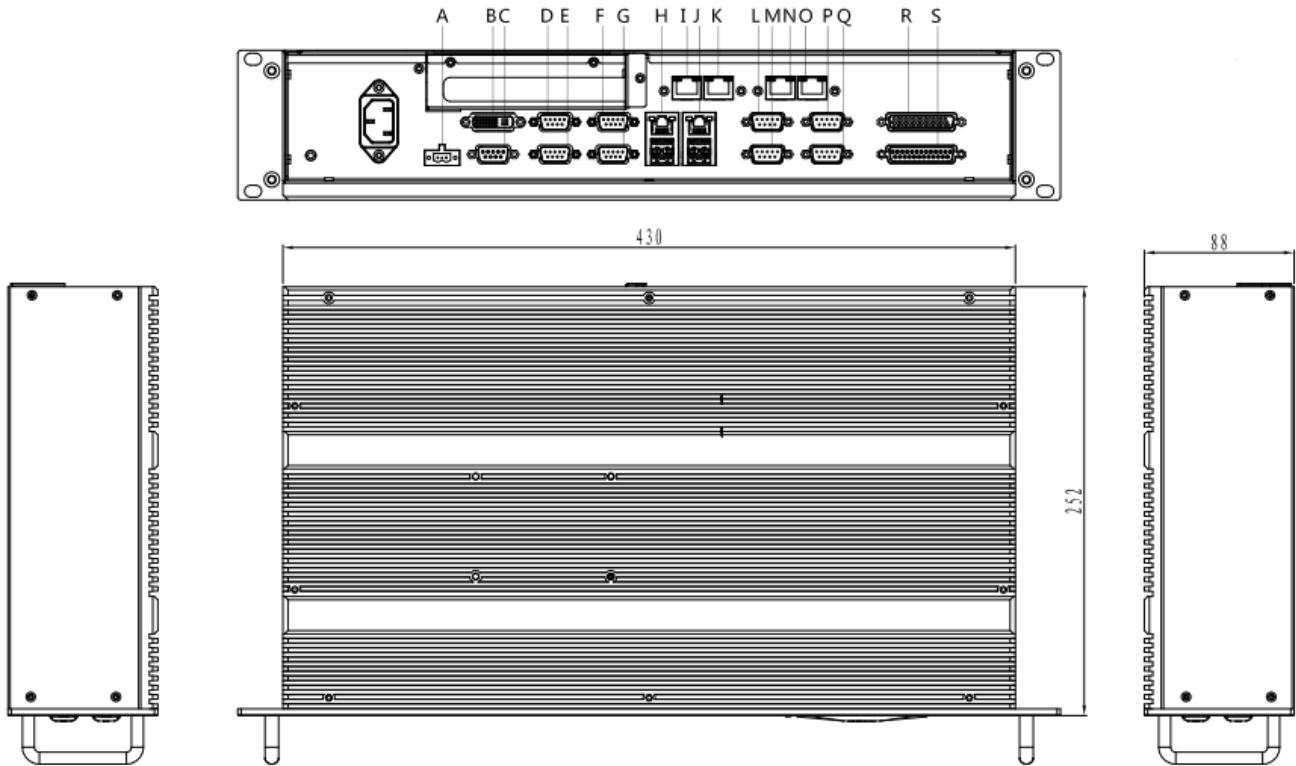
Specifications:



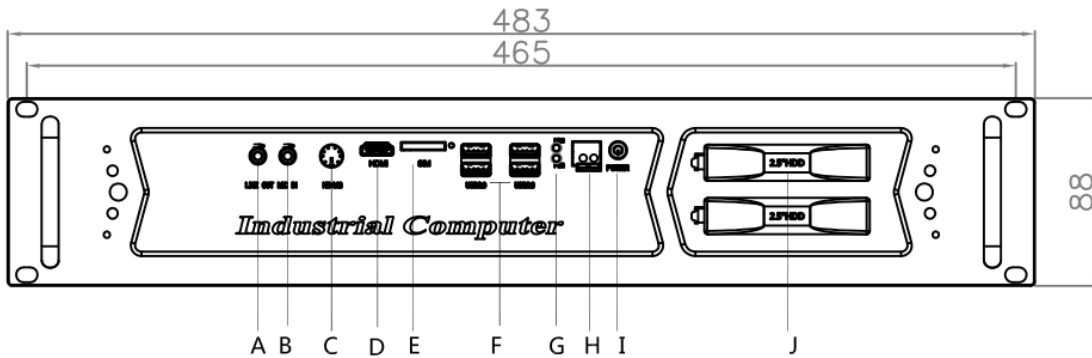
Processor	CPU	Intel® Core™ 6th / 7th generation i7 / i5 / i3 / Pentium / Celeron, LGA1151)
	Chipset	Intel H110 Express Chipset
	BIOS	AMI EFI 64Mbit
Memory	Architecture	DDR4-2400MHz
	Capacity	Support Up to 32GB
	DIMM	2 x 260-pin SODIMM
Display	VGA	Up to 1920 x 1200
	DVI	Support 1920 x 1200
	HDMI	1920x1200
	Display	Yes, VGA + DVI+HDMI
LAN	LAN	2*Intel i210 or i211 Gbe LAN controller (can be extended to 6*LAN ports)
Audio	Port	N/A
	Amplifier	N/A
I/O	COM	4 x RS-232 (can be extended to 8*COM)
	LPT(optional)	1*LPT
	USB	8x USB3.0/2.0/1.1, (Included 4x USB3.0/2.0/1.1)
Other	Digital IO (optional)	8-way DIO and 8-way DO
	WatchDog	0~255 seconds programmable
Expansion slot	MiniPCIe	2 * full size PCIe with SIM holder (can be extended to LAN or COM)
	PCIe & PCI	1 x PCIe x16 slot or 1 x 32bits PCI
Storage Medium	HDD (optional)	2x 2.5" HDD Bay (Max rate SATA III 6.0 Gb/s)
	SSD (optional)	1 * MSATA
OS	Microsoft Windows	Windows 7, Windows 7 Embedded, Windows 10
	Linux	Ubuntu
Power	Type	AT
	Input voltage	AC 90 -264 V
	Power cable	optional
Power Dissipation	No-load	27Watt
	Full-load	55Watt(According to the CPU set, total power not exceeding 100W)
Mechanism Parameters	Box structure	Aluminum alloy BOX
	Color	Silver
	Mounting	Rack-mounted
	Dimensions (L*W*H)	483mm*252mm*88mm (19.02" x 9.92" x 3.46")
	NW	7.2KG
Environmental	Work Temperature	-20 ~ 60°C (-4~140°F) (Wide temperature SSD)
		0 ~ 45°C (32~113°F) (General temperature HDD/SSD)
	Storage Temperature	-40 ~ 80°C (-40 ~ 176°F)
	Relative humidity	5~95% (Non condensation)
	Shake	SSD applied: 1.5 Grms, IEC 60068-2-64, random, 5 ~ 500 Hz, 1 hr/axis
	Shock	SSD applied: 10 G, IEC 60068-2-64, Half-sine wave, 11ms duration
	EMC	CE/FCC Class A
Safety Certification	CCC	

Dimensions: 483mm*252mm*88mm

Units: mm

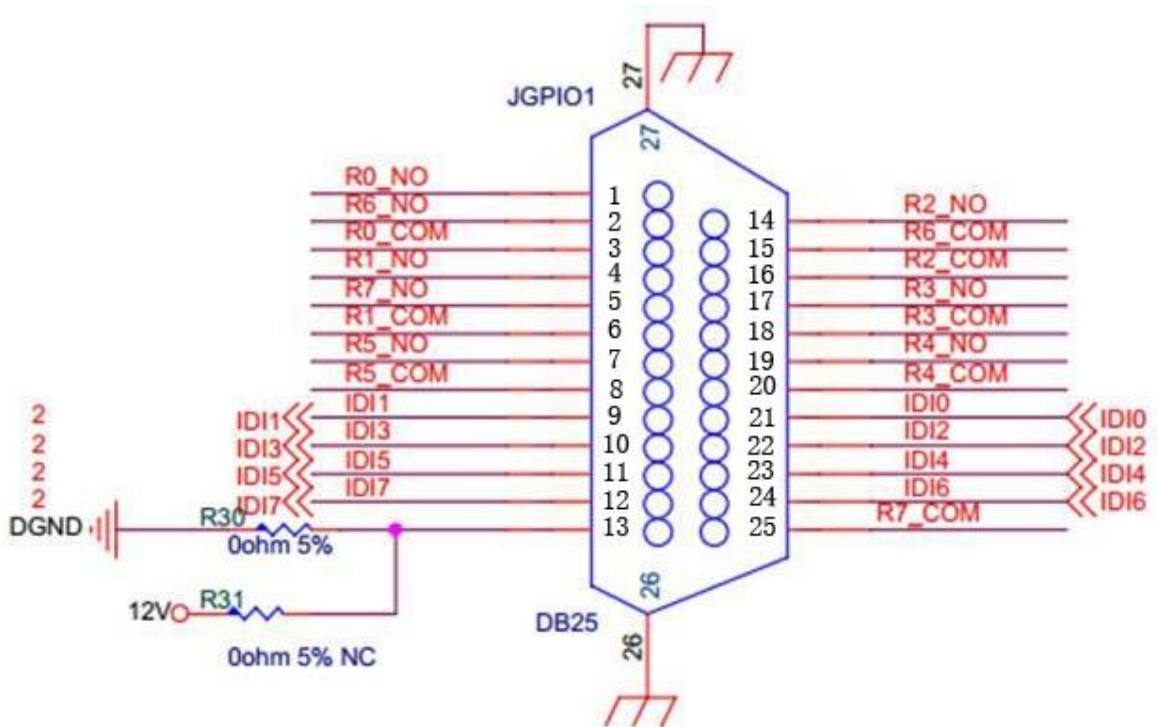


A: DC OUT 12V	H: 4*USB3.0	O: LAN (optional, extension by Mini Pcle)
B: DVI	I: LAN (optional, extension by Mini Pcle)	P: COM8 (optional, extension by Mini Pcle)
C: VGA	J: 2*LAN	Q: COM7 (optional, extension by Mini Pcle)
D: COM4	K: LAN (optional, extension by Mini Pcle)	R: DIO (optional)
E: COM3	L: COM6 (optional, extension by Mini Pcle)	S: LPT (optional)
F: COM2	M: COM5 (optional, extension by Mini Pcle)	
G: COM1	N: LAN (optional,extension by Mini Pcle)	



A: LINE OUT (no function)	E: SIM	I: POWER SWITCH
B: MICIN (no function)	F: 4*USB2.0	J: 2*2.5 HDD
C: KB/MS	G: HDD/PWR LED	
D: HDMI	H: REMOTESWITCH	

DIO Definition:



Pin	Pin Assignment	Pin	Pin Assignment	Pin	Pin Assignment
1	R0_NO	9	DI1	17	R3_NO
2	R6_NO	10	DI3	18	R3_COM
3	R0_COM	11	DI5	19	R4_NO
4	R1_NO	12	DI7	20	R4_COM
5	R7_NO	13	DI.COM or DI.GND	21	DI0
6	R1_COM	14	R2_NO	22	DI2
7	R5_NO	15	R6_COM	23	DI4
8	R5_COM	16	R2_COM	24	DI6
				25	R7_COM

Ordering Information:

Product Code	Description
eBOX-3000-ETC	No CPU/No memory/ /No hard disk /4*RS232/2*LAN/8*USB2.0 (4 of them support USB3.0) /DVI/VGA//HDMI/PS2 / AC 90 -264 V input/ Two-year warranty

Optional parts:

Power cable	Power cable L=1.8M+external PSU
Memory	Support DDR4 2400, 2 x 260-pin SO-DIMM Slot, Up to 32 GB Memory Size
Hard disk	Support 2.5 " , MSATA hard disk
Processor	Support Intel® Core™ 6th/7th generation i7 / i5 / i3 / Pentium/Celeron, LGA1151 processor , Inter®Celeron™: G3930 Inter®Pentium™: G4600 Inter®Core™ Series: I3-6100/7100,I5-6500T/6500/7500/7500T , I7-6700T/7700T