



PANEL5000-D123-LH

V1.0



Touch Screen Monitor

12.1" XGA Resistive touch screen Industrial Monitor



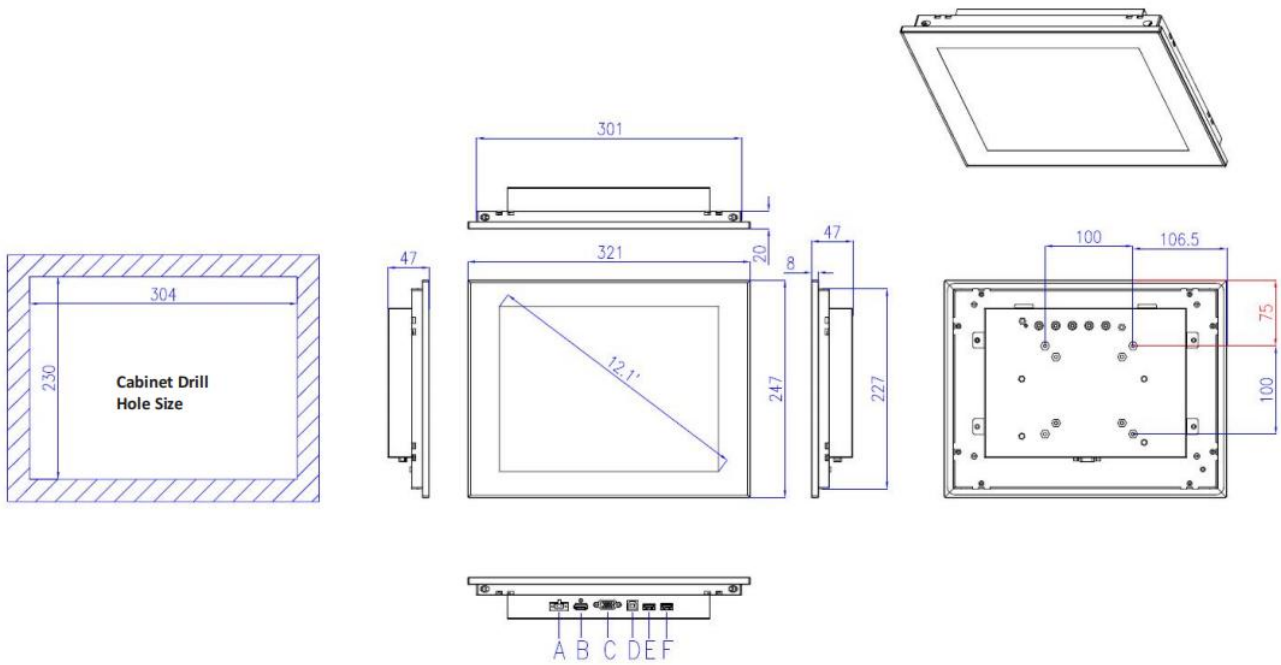
Specifications :

General	Control button	set Contrast ratio and Luminance via OSD at the back panel
	Dimensions (W x H x D)	321mm x 247mm x 47mm
	Cut out Size (W x H)	304mm x 230mm
	Box structure	Front panel frame: aluminum-magnesium alloy; Back cover: SGCC, silver
	Mounting	Support panel mounted, wall-mounted, Desktop VESA
	Power Supply	12~24V DC
	Power Dissipation	8W
	Signal input	VGA & HDMI
	NW	3.2kg
LCD	LCD Size	12.1" XGA TFT
	Resolution	1024 x 768
	Colors	16.7MB
	Active Area (W x H)	245.76mm x 184.32 mm
	Backlight	LED
	MTBF	30000hrs
	Pixel Pitch (H x V)	0.240 x 0.240
	Luminance	350cd/m2
	Contrast Ratio	800: 1
Viewing Angle	(L)80/(R)80/(T)80/(B)80	
Touchscreen	Type	Resistive touch
	Resolution	4096 x 4096
	Transmittance	> 78%
	Controller interface	USB
	Driver Support	Windows XP, Windows 7, Winows8, Windows 10, Linux
	Response Time	< 5ms
	Surface Hardness	Mohs' 3H
Environmental	Operating Temperature	-20 ~ 60°C (-4~140°F)
	Storage Temperature	-30 ~ 80°C (-22 ~ 176°F)
	Relative humidity	5~95% RH@40°C,non-condensing
	Vibration	Operating Random Vibration Test 5~500Hz, 1.5Grms@with SSD, follow IEC 60068-2-64
	Shock	Operating 10G peak acceleration (11ms duration), follow IEC 60068-2-27
	EMC	CE/FCC Class B
	Front Panel Protection	IP65 Compliant

Dimensions:mm

Touch Screen Monitor

www.nodka.com



A: DC IN	B:HDMI	C:VGA	D:USBTOUCH	E:USB	F:USB
----------	--------	-------	------------	-------	-------

Ordering Information :

Product Code	Description
PANEL5000-D123-LH	12.1" TFT LCD / 1024*768 / 1×VGA / 1×HDMI / 2*USB / Resistive Touch Screen / DC12-24V

Packing List:

Mounting screws	4*pcs Thickness=1mm~1.2mm
Terminal	2PIN *1 PCS
VGA Cable	1.8M *1 PCS
USB Cable	1.8M *1 PCS

Option Items:

Adapter	12V/3.33A,40W 2pin Phoenix terminal
Power Cord	1.8M/ 3M /5M
VGA Cable	3M /5M
USB Cable	3M /5M
HDMI Cable	1.8M /3M /5M