

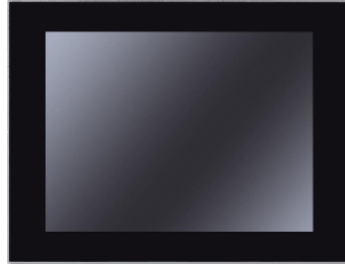


PANEL5000-D152-LU

V1.1 Touch Screen



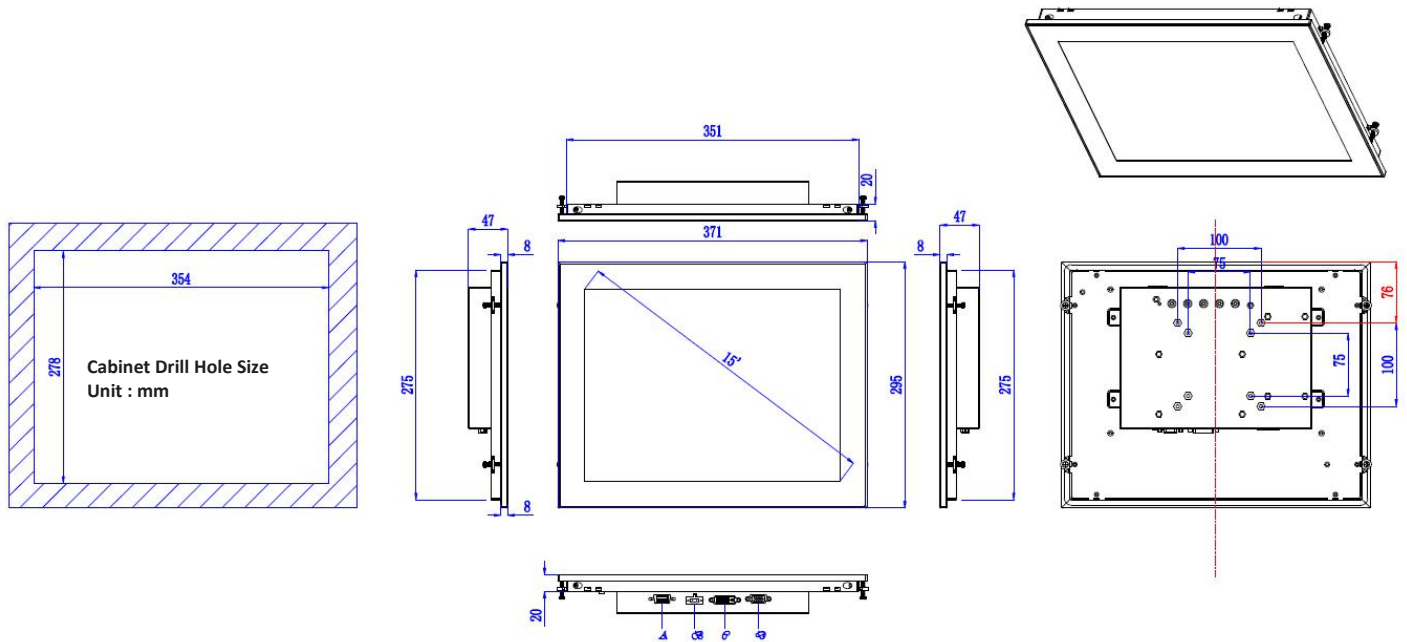
15" XGA Resistive Touch Screen
Industrial Monitor



Specifications

General	Control button	Set Contrast ratio and Luminance via OSD at the back panel
	Dimensions (W x H x D)	371mm x 295mm x 47mm (12.64" x 9.72" x 1.85")
	Drill Hole Size (W x H)	354mm x 278mm (13.94" x 10.94")
	Box structure	Front panel: aluminum-magnesium alloy, anodized coating ;Back cover: SGCC, Ground isolation protection
	Mounting	Support Embedded, wall-mounted, Desktop and VESA mounting
	Power Supply	DC 12 - 24V
	Power Dissipation	10W
	Signal input	VGA & DVI-D
	NW	3.34kg
LCD	LCD Size	15" XGA TFT
	Resolution	1024 x 768
	Colors	16.7MB
	Active Area (W x H)	304.13mm x 228.10mm (11.97" x 8.98")
	Backlight	LED
	MTBF	50000hrs
	Pixel Pitch(H x V)	0.099 x 0.297
	Luminance	350cd/m ²
	Contrast Ratio	1000 : 1
	Viewing Angle	(L) 80 / (R) 80 / (T) 80 / (B) 80
Touchscreen	Type	Resistive touch screen
	Resolution	4096 x 4096
	Transmittance	> 78%
	Controller interface	USB/ RS-232C
	Driver Support	Windows XP, Windows 7, Winows8, Windows 10, Linux
	Response Time	< 5ms
	Surface Hardness	Mohs' Number 3H
	Click life	250g / 35,000,000 times
	Draw life	250g / 5,000,000 times
Environmental	Work Temperature	-20 ~ 60° C (-4~140 °F)
	Storage Temperature	-30 ~ 80° C (-22 ~ 176 °F)
	Relative humidity	10~95% RH@40°C, non-condensing
	Shake	SSD applied: 1.5 Grms, IEC 60068-2-64, random, 5 ~ 500 Hz, 1 hr/axis
	Shock	SSD applied: 10 G, IEC 60068-2-27, Half-sine wave, 11ms duration
	EMC	CE/FCC Class B
	Water-proof	Front panel IP65

Dimensions:



A:USB	B:DC IN	C:DVI	D:VGA
-------	---------	-------	-------

Ordering

Product Code	Description
PANEL5000-D152-LU	15"TFT LCD/Flat five-wire Resistive Touch Screen(USB)/DC12-24V input/1024*768
PANEL5000-D152-LS	15"TFT LCD/Flat five-wire Resistive Touch Screen(RS232 Model) /DC12-24V input/1024*768

Packing List:

Hook	4*Hooks apply to Thickness=1mm~1.2mm
Terminal	2pin Phoenix terminal
VGA Cable	1.8M
USB Cable	1.8M

Optional

Adapter	12V/3.33A,40W 2pin Phoenix terminal
Chinese Standard Power Line	1.8M/3M/5M
VGA Cable	3M/5M
USB Cable	3M/5M
DVI Cable	1.8M/3M/5M