

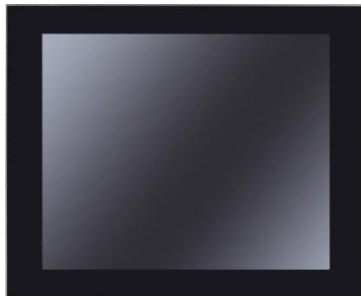


PANEL5000-D172-LU

V1.1 Touch Screen



17" SXGA Resistive Touch Screen
Industrial Monitor

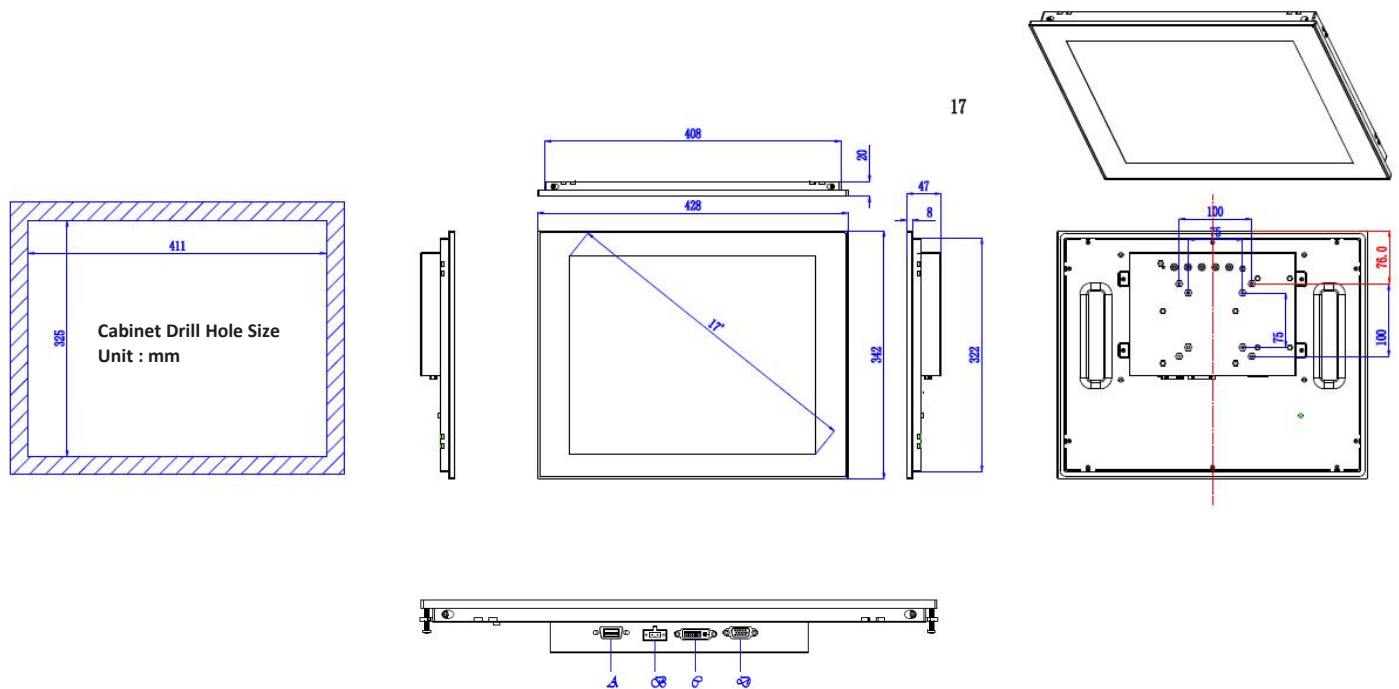


Specifications



General	Control button	Set Contrast ratio and Luminance via OSD at the back panel
	Dimensions (W x H x D)	428mm x 342mm x 47mm (16.85" x 13.46" x 1.85")
	Drill Hole Size (W x H)	411mm x 325mm (16.18" x 12.80")
	Box structure	Front panel: aluminum-magnesium alloy, anodized coating ;Back cover: SGCC, Ground isolation protection
	Mounting	Support Embedded, wall-mounted, Desktop and VESA mounting
	Power Supply	DC 12 - 24V
	Power Dissipation	12W
	Signal input	VGA & DVI-D
	NW	4.34kg (9.57lb)
LCD	LCD Size	17" SXGA TFT
	Resolution	1280 x 1024
	Colors	16.7MB
	Active Area (W x H)	338mm x 270mm (13.31"x 10.63")
	Backlight	LED
	MTBF	30000hrs
	Pixel Pitch(H x V)	0.264 x 0.264
	Luminance	250cd/m ²
	Contrast Ratio	1000 : 1
	Viewing Angle	(L) 85 / (R) 85 / (T) 80 / (B) 80
Touchscreen	Type	Resistive touch screen
	Resolution	4096 x 4096
	Transmittance	> 78%
	Driver Support	Windows XP, Windows 7, Winows8, Windows 10, Linux
	Response Time	< 5ms
	Surface Hardness	Mohs' Number 3H
Environmental	Work Temperature	-20 ~ 60° C (-4~140 °F)
	Storage Temperature	-30 ~ 80° C (-22 ~ 176 °F)
	Relative humidity	10~95% RH@40°C, non-condensing
	Shake	SSD applied: 1.5 Grms, IEC 60068-2-64, random, 5 ~ 500 Hz, 1 hr/axis
	Shock	SSD applied: 10 G, IEC 60068-2-27, Half-sine wave, 11ms duration
	EMC	CE/FCC Class B
	Water-proof	Front panel IP65

Dimensions:



A:USB	B:DC IN	C:DVI	D:VGA
-------	---------	-------	-------

Ordering

Product Code	Description
PANEL5000-D172-LU	17" TFT LCD/Resistive Touch Screen(USB)/DC12-24V input/1280*1024
PANEL5000-D172-LS	17" TFT LCD/Resistive Touch Screen(RS232 Model)/DC12-24V input/1280*1024

Packing List:

Hook	4*Hooks apply to Thickness=1mm~1.2mm
Terminal	2pin Phoenix terminal
VGA Cable	1.8M
USB Cable	1.8M

Optional

Adapter	12V/3.33A,40W 2pin Phoenix terminal
Chinese Standard Power Line	1.8M/3M/5M
VGA Cable	3M/5M
USB Cable	3M/5M
DVI Cable	1.8M/3M/5M