

NP-6113-16I160

- Fanless, Low power consumption
- Book style, Control cabinet Industrial PC

■ Features

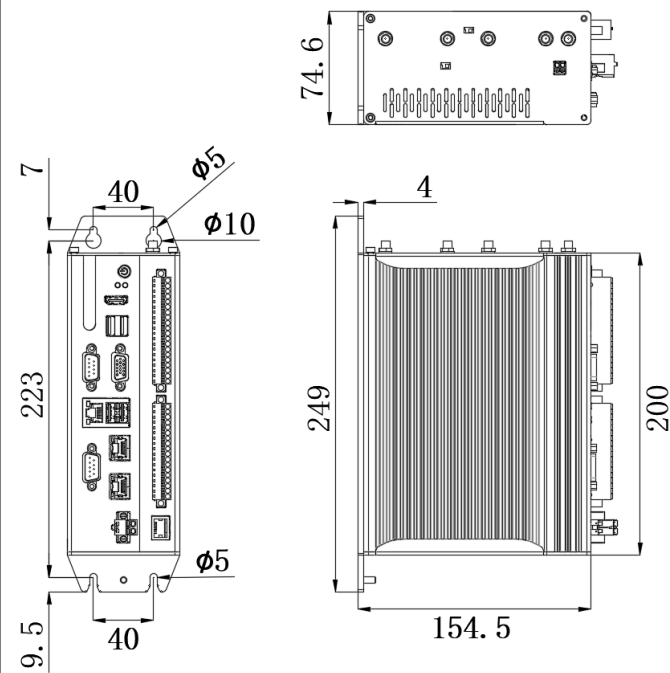
- 2 x Intel GbE PoE LAN controller
- 1 x RTL8111H GbE LAN controller
- 4 x USB on the front, 1 x USB2.0 on board for USB dongle
- 1 x RS232/485, RS485 support auto flow control; 1 x RS232
- 1 x miniPCIE expansion slot, support Wifi,3G/4G modules
- 16 x DI,16 x DO
- Support wall-mounted or DIN-Rail fixing style
- Wide operating temperature -20 ~ 60°C supported



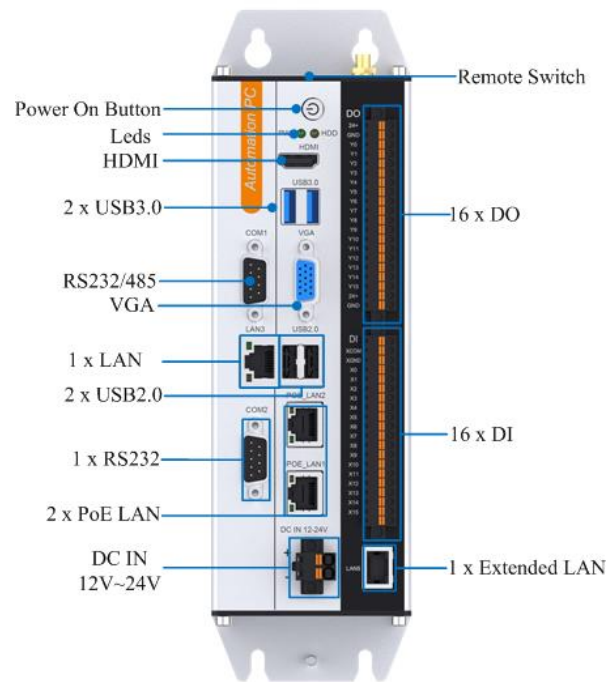
■ Specifications

Model Name	NP-6113-16I160-J6412		
System	CPU	Intel® Celeron J6412, 2.0~2.6GHz, 4 cores/4 threads, 1.5MB L2 cache	
	TDP	10W	
	BIOS	AMI UEFI 64Mbit	
	Memory	1 x SO-DIMM DDR4-2400MHz (up to 32GB)	
	Storage	1 x mSATA bay	
	USB		2 x USB3.0, 2 x USB2.0
			1 x USB2.0 Type A on the board for USB dongle
	COM	1 x RS232/485, selectable to support RS232 or RS485 mode by the switch, 1 x RS232	
	Ethernet		2 x Intel GbE PoE LAN controller
			1 x RTL8111H GbE LAN controller
	VGA	Support up to 1920 x 1080 @60Hz	
	HDMI	Support up to 3840 x 2160 @60Hz	
	Expansions	1 x Full-size PCIe Mini slot with SIM card holder(with USB signal)	
	DIO		16 x DI NPN/PNP
			16 x DO{NPN/PNP}, I _{max} . 500mA
Watch Dog	1~255 levels programmable		
Remote switch	1 x Remote switch		
OS Support	Microsoft Windows	Windows 10	
	Linux	Ubuntu, CentOS, Debian	
Power	Voltage Input	DC12~24V ±10%, overcurrent, overvoltage and polarity inverse protection	
	Power Consumption	Max. 90W	
Chassis	Structure	Aluminum-magnesium alloy box, Fanless, Wall-mounted or DIN-Rail	
	Dimensions	(L)200mm x (W)154.5mm x (H)74.6mm	
	Net Weight	2.15Kg	
Environment	Work Temperature	-20°C ~ 60°C (-4°F~140°F) with air flow (SSD)	
	Storage Temperature	-40°C ~ 80°C (-40°F~176°F) with air flow (SSD)	
	Relative Humidity	5~95% (Non-condensing)	
	Operating Vibration	5~500Hz, 1.5Grms@with SSD, Follow IEC60068-2-64	
	Operating Shock	20G peak acceleration(11ms duration) with SSD, Follow IEC60068-2-27	
	EMC	CE/FCC Class A	

■ Dimensions (Unit: mm)



■ Interfaces



■ Ordering Information

Part No.	Product	Description
6070200221	NP-6113-16I16O-J6412	CPU:J6412, RAM:NULL, mSATA: NULL, 1 x RS232/485, 1 x RS232, 1 x LAN, 2 x PoE LAN, 2 x USB3.0, 2 x USB2.0, 16 x DI, 16 x DO, HDMI/VGA, DC12~24V Power input

■ Options

Parts	Description
DDR4 Memory	DDR4-2400MHz: 4GB, 8GB, 16GB, 32GB
mSATA SSD	64GB, 128GB, 256GB, 512GB, 1TB
Wifi Set	miniPCIE WIFI Set (7260 series) ,Cylindrical antenna
3G/4G Module	mini PCIE: EC20, EG25, EC25
Mount Option	DIN-Rail

Note: If some optional parts are offered with the system, additional system certificates may be required in certain regions/countries. Please contact NODKA for certificate compliance.